



# SEVER-FIX

ДЛЯ ПРОФЕССИОНАЛЬНОГО  
САНТЕХНИЧЕСКА

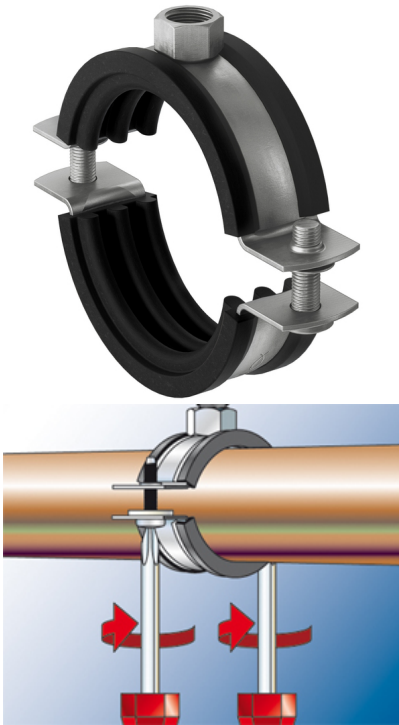
www.sever-fix.ru

## PIPE STEEL CLAMPS

SEVER is a Russian brand for production steel clamps  
for construction and industries uses

Moscow, Russia  
info@sever-fix.ru

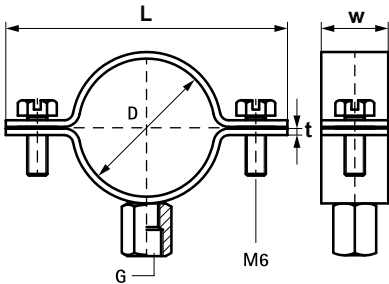
### SEVER / PIPE CLAMP, COLD-ROLLED STEEL



SKU: FFS-00110-00514  
EAN: 5117310759808  
Brand: SEVER  
Thread: M8 & M 10

The two-screw pipe clamp with simple connecting thread

SEVER pipe clamp FFS is a two-screw pipe clamp made from zinc-plated steel with an M8/M10 combination connecting thread. The two-screw version enables optimized adjustment in line with the outer diameter of the pipe. Together with the combination connecting thread, this increases flexibility. This enables pipelines with an outer diameter of 12 to 168 mm to be securely fixed with a threaded rod or stud screw indoors in accordance with the fire protection requirements of fire resistance. With a chlorine-free and silicone-free sound insulation insert. SEVER is suitable for applications in the temperature range from -40°C to +100°C.



#### Top Features

- A4 Cold-rolled steel.
- Two screws allow for ideal adaptation to the outer pipe diameter.
- Loss protection of screw.
- Sound insulation insert.
- Connecting nut with thread M10.

#### Advantages/benefits

- The two screws allow an easy adjustment to suit the outer pipe diameter.
- The combination connecting nut with thread M8/M10 enables optimized mounting choices.
- The sound insulation insert offers noise protection and prevents contact corrosion.
- The screw's safety feature ensures trouble-free installation.

#### Properties

- Material: Cold-rolled steel A4: material.
- Material sound insulation insert: EPDM; chlorine-free; silicone-free
- Temperature range: -40 °C to +100 °C
- Hardness: 55 ± 5° Shore A
- Fire behavior: DIN 4102: Class B2

#### Applications

Secure fixing for pipes with threaded rods or stud screws (also when there are fire protection requirements)

SKU	D (mm)	D (")	DN	G	L (mm)	w * t (mm)
FFS-00110	15 - 18	3/8	10	M8	54	20 x 1.0
FFS-00111	20 - 24	1/2	15	M8	62	20 x 1.0
FFS-00112	26 - 30	3/4	20	M8	66	20 x 1.0
FFS-00113	32 - 36	1	25	M8	72	20 x 1.0
FFS-00114	36 - 42	1 1/4	32	M8	80	20 x 1.0
FFS-00115	47 - 50	1 1/2	40	M8	87	20 x 1.2
FFS-00121	51 - 55	-	-	M8	94	20 x 1.2
FFS-00122	60 - 64	2	50	M8	102	20 x 1.2
FFS-00123	67 - 73	-	-	M10	118	20 x 1.5
FFS-00124	75 - 80	2 1/2	65	M10	125	25 x 1.5
FFS-00125	87 - 92	3	80	M10	141	25 x 1.5
FFS-00240	99 - 105	3 1/2	90	M10	155	25 x 1.5
FFS-00242	106 - 112	-	-	M10	162	25 x 1.5
FFS-00244	114 - 119	4	100	M10	171	25 x 2.0
FFS-00310	124 - 131	-	-	M10	179	25 x 2.0
FFS-00482	159 - 163	-	150	M10	211	25 x 2.0
FFS-00514	199 - 204	-	-	M10	253	25 x 2.0

D: Diameter. D(\*): Dimension Inch. DN: Nominal diameter.

G: Nut size. L: Length mm. L: length. W: width. T: thickness.