

DIVERTRON

SUBMERSIBLE MULTI-IMPELLER ELECTRONIC PUMPS





TECHNICAL DATA

Flow rate: from 1 m³/h to 6 m³/h
Head up to: 45 m (900 version) - 30 m (650 version)
maximum immersion depth: 12 m
Type of pumped liquid: clean, free from solid or abrasive substances, non-viscous, non-aggressive, non-crystallized and chemically neutral
Liquid temperature range: from 0°C to +40°C
Maximum operation depth: 15
Flanges, thread: 1" (supplied as standard with a four-section fitting-reducer)
Pump maximum diameter: 160 mm
Impeller/s material: technopolymer
Maximum number of starts: 20/h
Protection class: IP 68
Motor insulation class: F
Single phase power input: 230 V 50 Hz
Power cable (m) and plug: 15 m H07RNF with power plug
Possible type of installation: fixed or movable in vertical position
Special versions on request: cable of different length, different type of power plug

Multi-impeller submersible pump with integrated electronic for automatic switching on and off. There are versions with two or three impellers available. The pump is designed for pressurization, gardening and irrigation in residential building service.

CONSTRUCTION FEATURES OF THE PUMP

Pump body and impellers in technopolymer to resist corrosion and oxidation. The delivery has an integrated non-return valve. There are version with anti-debris filter in technopolymer or fitting with brass insert for use with float suction kit (the X version). Version with float switch also available.

CONSTRUCTION FEATURES OF THE MOTOR

Asynchronous motor. Motor shaft in stainless steel AISI 416 + AISI 304. Integrated starting capacitor and thermal protection against overheating of the motor.

FEATURES OF THE ELECTRONIC

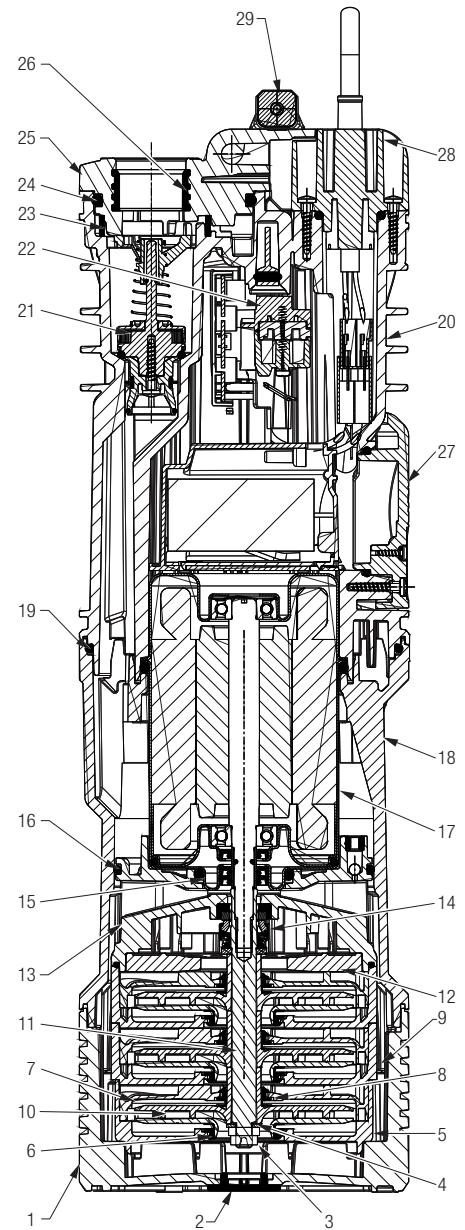
The electronics allow automatic switching on and off. The pressure switch and the flow sensor are integrated. Dry running protection. Quick access to the capacitor compartment.

DIVERTRON

SUBMERSIBLE MULTI-IMPELLER ELECTRONIC PUMPS

MATERIALS

N°	PARTS	MATERIALS
1	BASE	TECHNOPOLYMER
2	INSPECTION CAP	EPDM
3	NUT	SS A2
4	WASHER	SS A2
5	FIRST STAGE CASE	TECHNOPOLYMER
6	FRONT FLOATING RING	TECHNOPOLYMER
7	DIFFUSER	TECHNOPOLYMER
8	BACK FLOATING RING	TECHNOPOLYMER
9	STAGE CASE	TECHNOPOLYMER
10	IMPELLER	TECHNOPOLYMER/SS AISI 304
11	SHAFT	SS AISI 303
12	FINAL DIFFUSER CAP	TECHNOPOLYMER
13	MOTOR FLANGE	TECHNOPOLYMER
14	MECHANICAL SEAL	CARBON-IMPREGNATED RESIN/CERAMIC/NBR
15	OR GASKET	EPDM
16	OR GASKET	EPDM
17	MOTOR	
	CAP	SS AISI 304
	MOTOR SHAFT	SS AISI 416
18	BODY	TECHNOPOLYMER
19	OR GASKET	EPDM
20	COVER	TECHNOPOLYMER
21	NON-RETURN VALVE	TECHNOPOLYMER/NBR/AISI 302/AISI A2/FERRITE
22	PRESSURE SWITCH	TECHNOPOLYMER/SILICONE
23	SAND FILTER	TECHNOPOLYMER
24	OR GASKET	EPDM
25	OUTLET COVER	TECHNOPOLYMER
26	INSERT	BRASS
27	CAPACITOR COMPARTMENT COVER	TECHNOPOLYMER
28	CABLE FLANGE	TECHNOPOLYMER
29	HANDLE	TECHNOPOLYMER

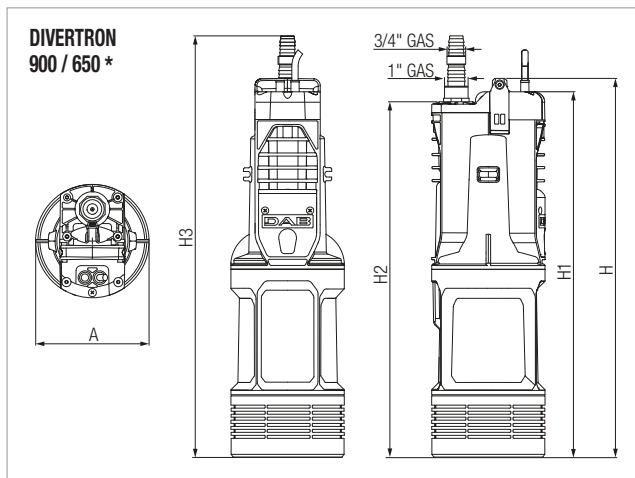


PERFORMANCE AT 50 HZ

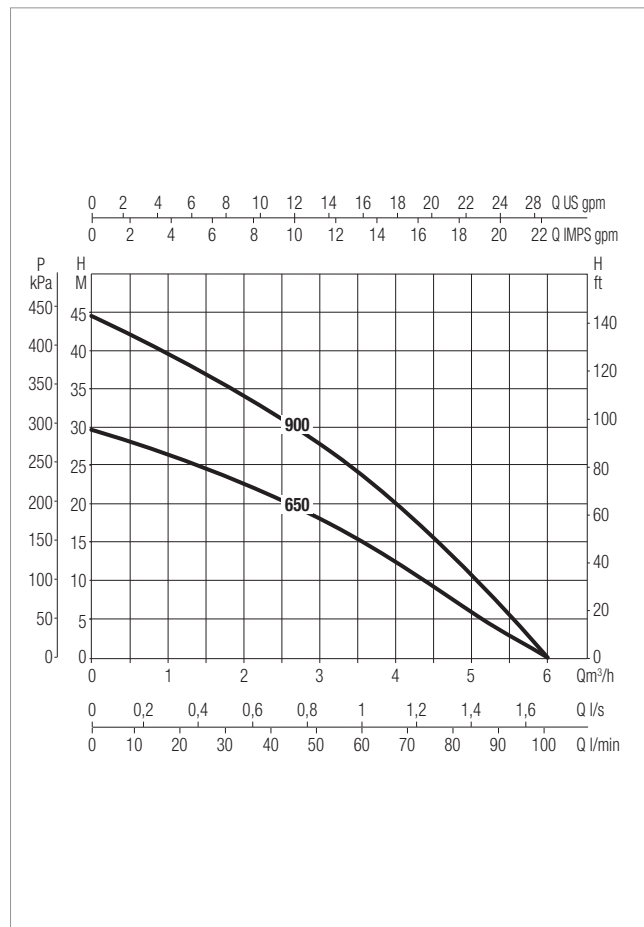
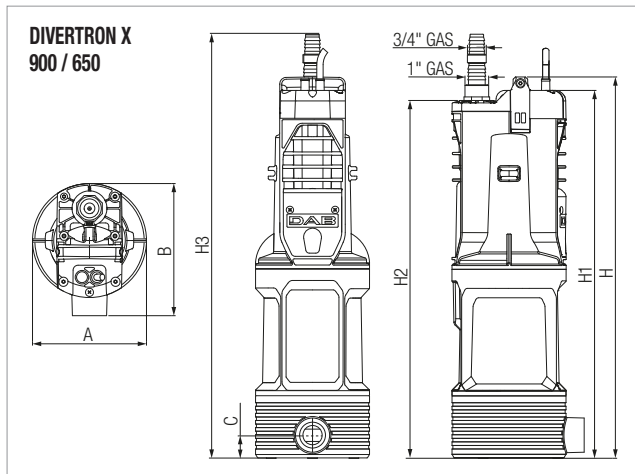
MODEL	HYDRAULIC DATA								
	Q=m³/h	0	1,2	1,8	2,4	3,0	3,6	4,2	4,8
	Q=l/min	0	20	30	40	50	60	70	80
DIVERTRON 900	H (m)	44,5	40,9	37,8	34,1	30,2	25,3	19,8	13,6
DIVERTRON 650		29,6	26,8	24,7	22,2	19,8	16,4	12,5	8,2
DIVERTRON X 900		44,5	40,9	37,8	34,1	30,2	25,3	19,8	13,6
DIVERTRON X 650		29,6	26,8	24,7	22,2	19,8	16,4	12,5	8,2

ELECTRICAL DATA AND DIMENSIONS

MODEL	ELECTRICAL DATA							DIMENSIONS									PACKING VOLUME dm ³	Q.TY X PALLET	WEIGHT Kg	
	POWER INPUT 50 Hz	P1 W	P2 NOMINAL		I _n A	CAPACITOR		A	B	C	H	H1	H2	H3	PACKING DIMENSIONS					
			kW	HP		μF	V								L/A	L/B				H
DIVERTRON 900	1 x 220-240 V ~	920	0,56	0,75	4,2	12,5	450	Ø 160	-	-	536	517	503	596	550	195	250	28,6	32	11
DIVERTRON 650	1 x 220-240 V ~	630	0,42	0,56	2,9	8	450	Ø 160	-	-	488	469	455	548	550	195	250	28,6	32	9,5
DIVERTRON X 900	1 x 220-240 V ~	920	0,56	0,75	4,2	12,5	450	Ø 160	186	33	536	517	503	596	550	195	250	28,6	32	11
DIVERTRON X 650	1 x 220-240 V ~	630	0,42	0,56	2,9	8	450	Ø 160	186	33	488	469	455	548	550	195	250	28,6	32	9,5



* Same dimensions for models 900 A - 650 A (with float switch)



The performance curves are based on kinematic viscosity values = 1 mm²/s and density equivalent to 1000 kg/m³. Curve tolerance according to ISO 9906.

ACCESSORIES

DIVERTRON

	DESCRIPTION	PACKING DIMENSIONS			WEIGHT Kg
		L/A	L/B	H	
	<p>KIT X (FOR X VERSION)</p> <p>Combined to X version can be used to collect water at such a level as to avoid the pumping of dust and mud found at the bottom of wells and tanks.</p>	320	190	245	1,1

DAB

PUMPS SELECTOR

On-line selection tool



DAB PUMPS LTD.

6 Gilberd Court
Newcomen Way
Severalls Business Park
Colchester
Essex
CO4 9WN - UK
salesuk@dwtgroup.com
Tel. +44 0333 777 5010



DAB PUMPS IBERICA S.L.

Calle Verano 18-20-22
28850 - Torrejón de Ardoz - Madrid
Spain
Info.spain@dwtgroup.com
Tel. +34 91 6569545
Fax: + 34 91 6569676



DAB PUMPS (QINGDAO) CO. LTD.

No.40 Kaituo Road, Qingdao Economic
& Technological
Development Zone
Qingdao City, Shandong Province - China
PC: 266500
sales.cn@dwtgroup.com
Tel. +86 400 186 8280
Fax +86 53286812210



DAB PUMPS BV

*tHofveld 6 C1
1702 Groot Bijgaarden - Belgium
info.belgium@dwtgroup.com
Tel. +32 2 4668353



DAB PUMPS HUNGARY KFT.

H-8800
Nagykanizsa, Buda Ernő u.5
Hungary
Tel. +36 93501700



DAB PUMPS DE MÉXICO, S.A. DE C.V.

Av Amsterdam 101 Local 4
Col. Hipódromo Condesa,
Del. Cuauhtémoc CP 06170
Ciudad de México
Tel. +52 55 6719 0493



DAB PUMPS POLAND Sp. z o.o.

Ul. Janka Muzykanta 60
02188 Warszawa - Poland
polska@dabpumps.com.pl



DAB PUMPS OCEANIA PTY LTD

426 South Gippsland Highway,
Dandenong South VIC 3175 - Australia
info.oceania@dwtgroup.com
Tel. +61 1300 378 677



DAB PUMPS B.V.

Albert Einsteinweg, 4
5151 DL Drunen - Nederland
info.netherlands@dwtgroup.com
Tel. +31 416 387280
Fax +31 416 387299



DAB PUMPS INC.

3226 Benchmark Drive
Ladson, SC 29456 - USA
info.usa@dwtgroup.com
Tel. 1- 843-797-5002
Fax 1-843-797-3366



DAB PUMPS GMBH

Am Nordpark 3
D - 41069 Mönchengladbach - Germany
info.germany@dwtgroup.com
Tel. +49 2161 47388-0
Fax +49 2161 47388-36



DAB PUMPS SOUTH AFRICA (PTY) LTD

Twenty One industrial Estate,
16 Purlin Street, Unit B, Warehouse 4
Olifantsfontein -1667 - South Africa
info.sa@dwtgroup.com
Tel. +27 12 361 3997



PT DAB PUMPS INDONESIA

Satrio Tower lantai 26
unit C-D, Jl. Prof. Dr. Satrio Kav. C4,
Kel. Kuningan Timur, Kec. Setiabudi, Kota Adm.
Jakarta Selatan, Prov. DKI Jakarta. - Indonesia
Tel. +62 2129222850