



Item # \_\_\_\_\_  
 Qty # \_\_\_\_\_  
 Model # \_\_\_\_\_  
 Project # \_\_\_\_\_



# CHARBROILER

## ZCCB48



Cast Iron Waste and Oil Drain

Charbroiler Knobs



### PRODUCT DESCRIPTION

- + Stainless steel exterior and interior.
- + Double wall sides with stainless steel cabinet.
- 🔥 35,000 BTU Burners per 12" section with standby pilots.
- 🕒 Independent manual controls every 12".
- ❄️ "Cool-to-the-touch" front s/s edge.
- 🔌 Each Char Broiler shipped standard Natural gas, LP conversion kit included.
- 📏 Adjustable stainless steel legs, non-skid feet.
- 🌀 Easy to remove full width crumb tray.



### HIGH QUALITY STAINLESS STEEL & ROBUST DESIGN

\* All measures are presented in Inches

CHARBROILER MODEL	DIMENSION		
	Width	Depth	Height
ZCCB48	48 in	28 3/4 in	15 3/8 in



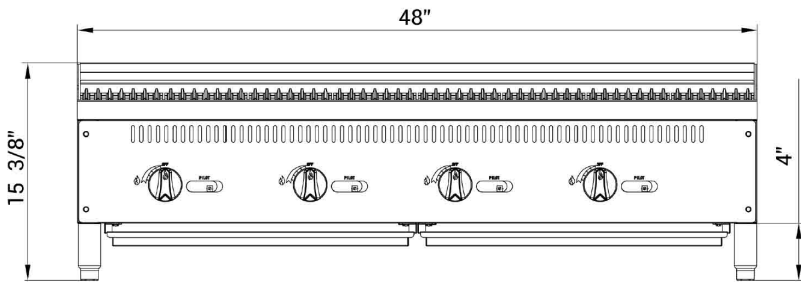
Los Angeles | San Francisco | Dallas  
 Houston | Florida | Chicago | New Jersey

+1(708) 590-9543  
 info@zuilex.com  
 www.zuilex.com

# DETAILS & SPECIFICATIONS

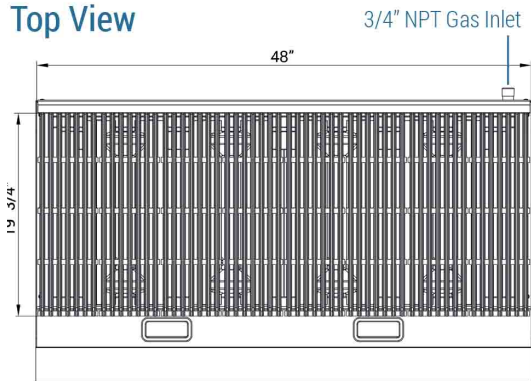
## CHARBROILER ZCCB48

Front View

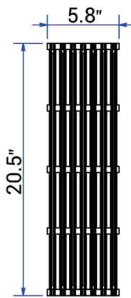


GAS SOURCE	NG/Propane
WORK AREA	47.83x20.47in
BURNER	4 count
SINGLE BURNER	35000 BTU/H
COMBINED	140000 BTU/H
GAS PRESSURE	NG: 4 "WC Propane: 10 "WC
NOZZEL	NG: 34# Propane: 49#
CONTAINER FITMENT	115

Top View

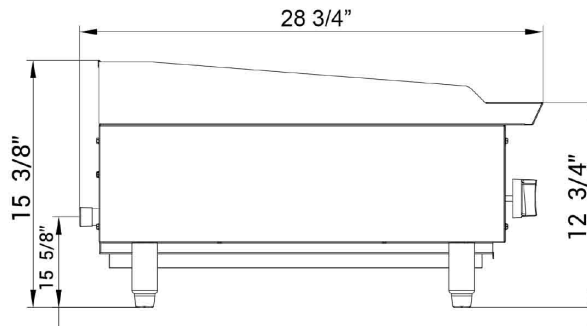


Racks



Equiped with 8 racks

Side View



Model	Packaging Dimensions (inches)			Net Weight (lbs)	Ship Weight (lbs)
	W	D	H		
ZCCB48	50 1/4"	32 5/8"	20 1/2"	229.28	268.96



Los Angeles | San Francisco | Dallas  
Houston | Florida | Chicago | New Jersey

+1(708) 590-9543

info@zuilex.com

www.zuilex.com