

Item # \_\_\_\_\_

Qty # \_\_\_\_\_

Model # \_\_\_\_\_

Project # \_\_\_\_\_



# GRIDDLE ZCGMA36



Waste Tray



Oil Tray



## PRODUCT DESCRIPTION

- ✦ Stainless steel exterior and interior.
- 🔥 30,000 BTU Burners per 12" section with standby pilots.
- 🕒 Independent manual controls every 12".
- 🍳 Heavy duty 1" thick polished steel griddle plate.
- 🕒 Each griddle is shipped with Standard Natural Gas, LP conversion kit.
- 📏 Adjustable, stainless steel legs standard.
- 🧼 Full length seamless drip pan, easy to remove and clean.



## HIGH QUALITY STAINLESS STEEL & ROBUST DESIGN

\* All measurements are in inches

GRIDDLE MODEL	DIMENSION		
	Width	Depth	Height
ZCGMA36	36 in	33 1/2 in	15 1/4 in

# ZCGMA36



Los Angeles | San Francisco | Dallas  
Houston | Florida | Chicago | New Jersey



+1(708) 590-9543



info@zuilex.com

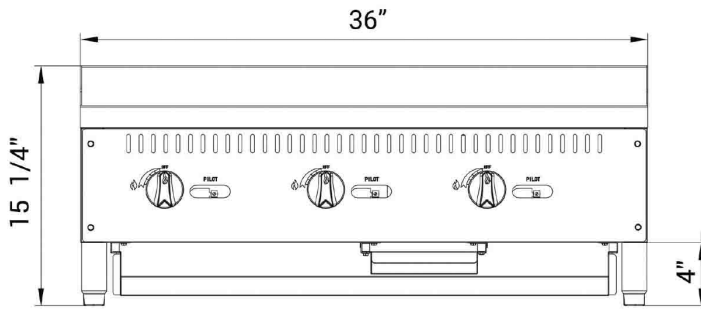


www.zuilex.com

# DETAILS & SPECIFICATIONS

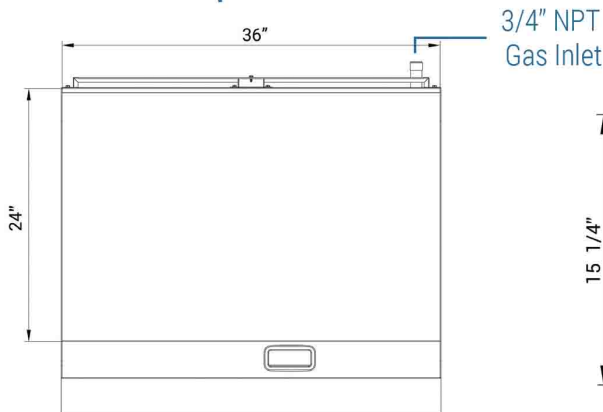
## GRIDDLE ZCGMA36

Front View

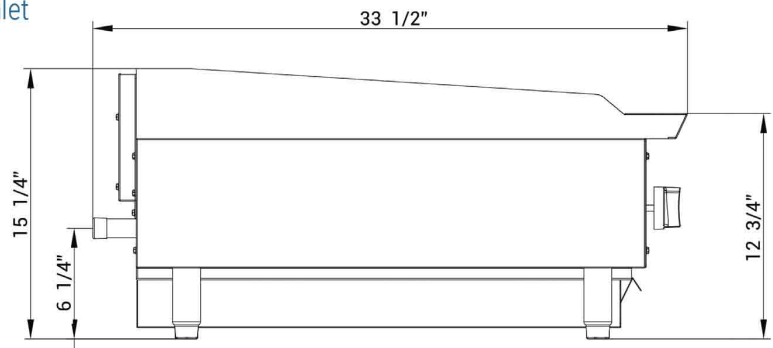


GAS SOURCE	NG/Propane
WORK AREA	35.83x24.02in
BURNER	3 count
SINGLE BURNER	30000 BTU/H
COMBINED	90000 BTU/H
GAS PRESSURE	NG: 4 "WC Propane: 10 "WC
NOZZEL	NG: 37# Propane: 51#
CONTAINER FITMENT	130

Top View



Side View



Model	Packaging Dimensions (inches)			Net Weight (lbs)	Ship Weight (lbs)
	W	D	H		
ZCGMA36	38 1/4"	36 1/4"	20 1/2"	341.72	372.58



Los Angeles | San Francisco | Dallas  
Houston | Florida | Chicago | New Jersey

+1(708) 590-9543

info@zuilex.com

www.zuilex.com