

# PI150-98G

## 90 IPERLOTUS GAS KETTLE

Gas indirect boiling pan 135 lts. Tank Ø cm.  
60x54h (included 1 Head end filler strip  
mod.TPA-9)



**Construction** - Fabricated using CrNi 18/10 AISI 304 grade Stainless Steel Scotch-Brite Satin polish Finish, incorporating 2mm thick worktop, rounded edges, chromed details and rear splash back. Knobs with waterproof grades IPX5. Model - Professional Gas Kettle, possible automatic water-charge of double jacket. Direct, indirect and autoclave versions available. From 100 to 140 liters tank constructed in AISI 304 with AISI 316 bottom. Easy and safe open and closing system. Piezoelectric ignition pilot light. Thermocouple safety valves.

**Maintenance** - All serviceable parts are accessible by the easy removal of front control panel. Fittings - Appliance is supplied with both LPG and Natural Gas conversion jets and adjustable feet.

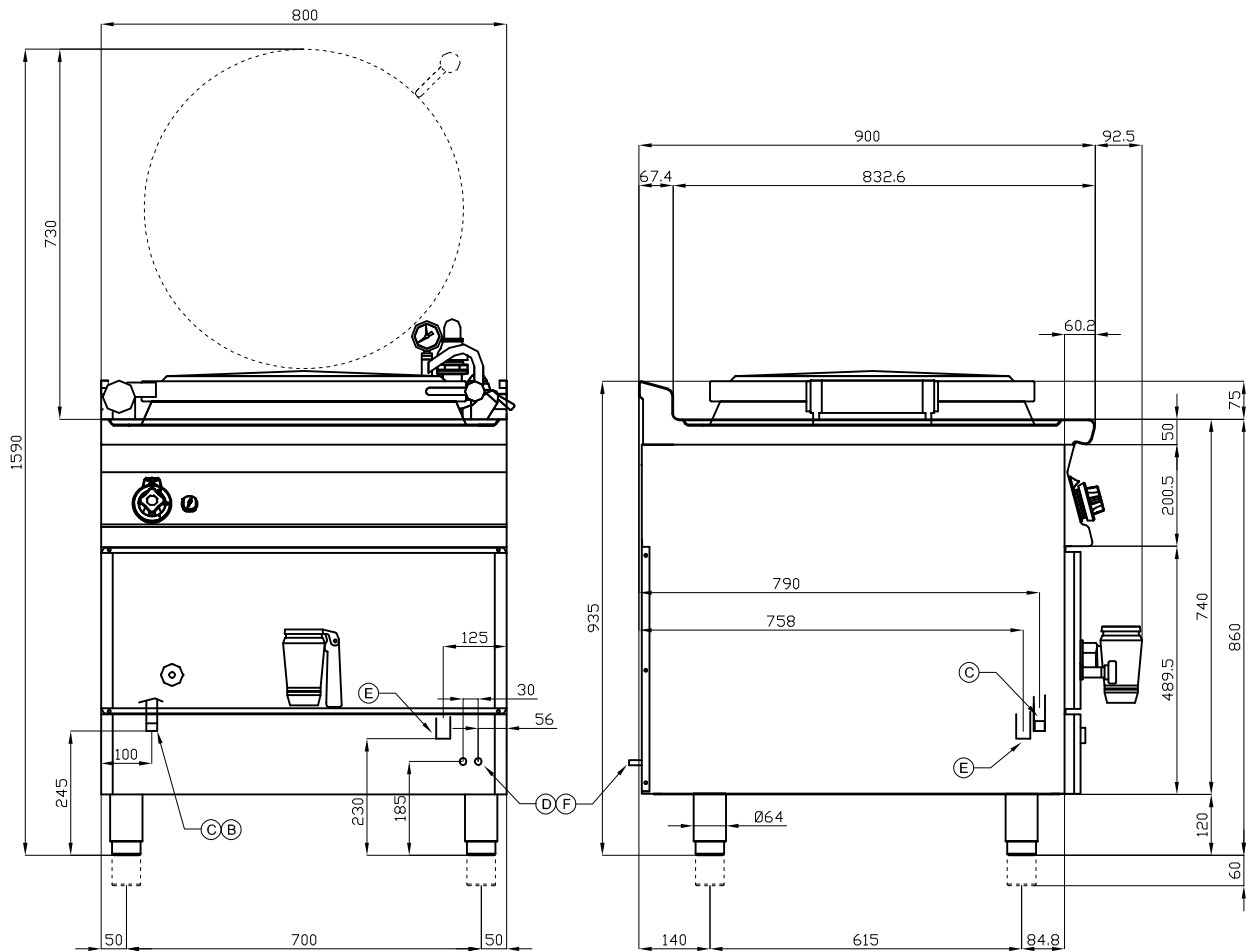


ITALIAN CULINARY ART

The pictures are purely representative. The manufacturer reserves the right to modify the technical data and models without previous notice.

# PI150-98G

90 IPERLOTUS  
GAS KETTLE



A	Data plate		C	Gas connection	ISO 7-1 1/2" M
D	Cold water connection	Ø10mm	E	Water drainage	Ø25mm
F	Hot water connection	Ø10mm			

MODEL: PI150-98G  
 DIMENSIONS: cm. 80x 90x 90h  
 GAS POWER: 21 kW / 18.060 kcal/h  
 GAS TYPE: Natural Gas / LPG



kg: 135  
 m<sup>3</sup>: 1.071  
 mm: 870x1070x1150

BUY LOTUS BUY ITALY

The pictures are purely representative. The manufacturer reserves the right to modify the technical data and models without previous notice.



LOTUS S.P.A. Via Calmaor, 46  
 31020 San Vendemiano(TV) - Italy  
 Tel. + 39 0438 778020 / 778468  
 Fax + 39 0438 778277  
[www.lotuscookers.it](http://www.lotuscookers.it) - [lotus@lotuscookers.it](mailto:lotus@lotuscookers.it)