



GOURMET COFFEE GRINDERS

RETAIL AND SUPERMARKET MODELS

ITEM NO _____

PROJECT _____

DATE _____

FEATURES AT A GLANCE

- Automatic Operation
- On/Off and Bag Interlock Switch - machine will grind only when bag is in place
- "Click-Stop" Adjustable Grind Settings - from extra coarse to espresso
- 2.5 lb. Hopper Capacity - with wide mouth opening
- Standard Black or Red Finish
- Positive Flow Gravity Feed with Stainless Steel Hopper - allows for uninterrupted bean flow
- Hopper Safety Guards
- Investment Cast/Precision Machine Cut Grinding Burrs - for long life and precise grind control
- Uniform Grind Profile - without burning or scorching
- Powerful .5 hp Motor
- Front-Mounted Safety Circuit Breaker
- Standard 120VAC operation

Click-Stop Grind Settings

From extra coarse to espresso.



Regular Perk



Electric Perk



Auto Drip



Fine



Espresso



GSG-3BLK



GSG-3RED

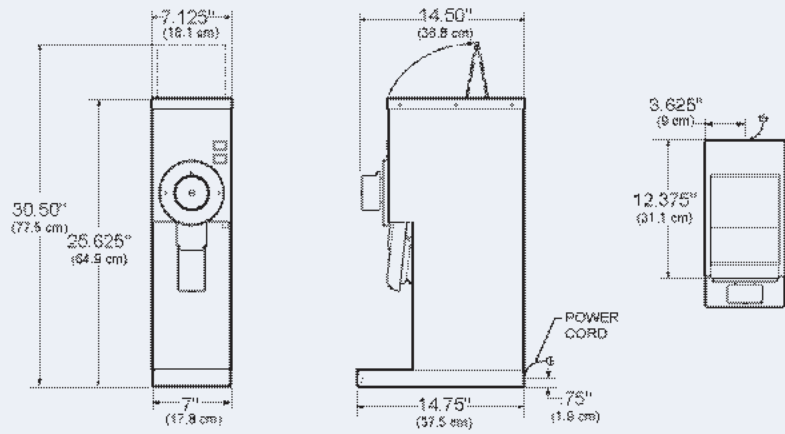
Heavy-Duty Performance

Grind all types of gourmet coffees from extra coarse to espresso with the Curtis Gourmet Coffee Grinder. Designed for supermarkets and Specialty Coffee Retailers, these self-serve grinders quickly create beautifully ground coffee from whole roasted beans. Curtis grinders feature a large-capacity hopper for quick throughput, integral on/off

and bag-in-place switch, standard 120VAC operation and much more.

Customers simply select their preferred grind with the exclusive click-stop selector, deposit beans, and put the bag in place. In moments, the Curtis GSG quickly grinds the beans for a perfectly rich, flavorful pot of coffee.

GSG



SPECIFICATIONS	GSG
Hopper Capacity	2.5 lbs.
Dimensions (HxWxD)	25.625 x 7.125 x 14.75
Voltage	120VAC/60Hz
Power Requirements	8A
Motor	.50 HP
Shipping Weight	52 lbs.
Cube	4.36 cu. ft.



WILBUR CURTIS COMPANY, INC.
 6913 Acco Street, Montebello, CA 90640-5403
 Telephone: 800-421-6150 · 323-837-2300
 Fax: 323-837-2406
www.wilburcurtis.com

