



SQ07DGO

COMBI OVEN 7 TRAYS GN 1/1
2,4" DIGITAL CONTROL

FUNCTIONAL CHARACTERISTICS

Display	TFT 2,4" IPS
Supply	Electric
Timer	-
Number of motors	2
Motor speeds	5
Max cooking temperature	260°C
Core probe	Single point PT1000
Cooking chamber material	AISI304
Opening door	Right handle
Chimney	50mm open
Humidification	Direct injection
Air injection	DryPRO
Version	Standard / 30A Contactors
Self-washing	-



STANDARDS

Certification	CE - CB
---------------	---------

TRAYS

Trays rack	Wire GA 7/70 Sheet GA 7/70 (optional) Wire PA-BIV 7/70 (optional)
------------	---

Max tray load	4kg
---------------	-----

DIMENSIONS

Oven size with handle WxDxH	937 x 893 x 883 mm
-----------------------------	--------------------

Oven size without handle WxDxH	937 x 831 x 883 mm
--------------------------------	--------------------

Chamber size WxDxH	660 x 490 x 612 mm
--------------------	--------------------

Unit weight	98kg
-------------	------

PACKAGING

Packaging	Pallet + carton box
-----------	---------------------

Packaging size WxDxH	1020 x 970 x 1007 mm
----------------------	----------------------

Unit weight with packaging	115kg
----------------------------	-------

Crate packaging size (optional)	1020 x 970 x 1033 mm
---------------------------------	----------------------

Unit weight with crate	160kg
------------------------	-------

ELECTRICAL DATA

HEATERS 5kW 50/60Hz

Power	10,5kW	10,5kW
Frequency	50/60Hz	50/60Hz
Power supply	380-415V 3N~	220-240V~
Amperage	16,80A	45,73A
Power cord req.	5G2,5	3G16

HEATERS 6.5kW 50/60Hz

Power	12,5kW	12,5kW
Frequency	50/60Hz	50/60Hz
Power supply	380-415V 3N~	220-240V~
Amperage	19,62A	58,78A
Power cord req.	5G4	3G16

WATER CONNECTION REQUIREMENTS

Humidification Water Inlet	3/4" GAS (male)
----------------------------	-----------------

Washing Water Inlet	8mm quick fitting
---------------------	-------------------

Water drain	30mm
-------------	------



Max water hardness	5°f
Water pressure requirement min-max	150-200kPa
CONSUMPTION	
Humidification Water	4l/h max consumption
Rinse Water @2barG	-
Short Washing Water @2barG	-
Long Washing Water @2barG	-
Short Washing Detergent *	-
Long Washing Detergent *	-
CONNECTIVITY	
USB	USB 2.0
Bluetooth	-
Wi-Fi	STANDARD
Cloud	STANDARD
ACCESSORIES	
Self clean system kit	S20
Oven stand	TA9374H30X TA9374H40X - TA9374H40S TA9374H49X - TA9374H49S TA9374H70X-TA9374H70S TA9374H80X-TA9374H80S
Hood (Air)	POSQMAF1 - POSQMAF2
Hood (Water)	POSQMWF1 - POSQMWF2
External Core probe	CP5 (020SON0007)
Sous vide probe	CP4 (020SON0010)
Proofer	CA9308M0 - MH - DH CA9312M0 - MH - DH
Stacking kit for 2 ovens	SK42
Smoker	SMK02
Blast Chiller	KDA03 - KDA05
Blast chiller stacking kit	SK43
Water softner cover	WS10
Water softner 6800l	WS11
Water softner 12000l	WS12
Water pressure adapter	WPA
Water shower kit	S1
Detergent 6kg	DT2
Detergent 10kg	DT4



◆ Standard ◇ Optional - Not available

TYPE OF COOKINGS	
Convection cooking	30°C - 260°C / 86°F - 500°F
Combi cooking	30°C - 230°C / 86°F - 446°F
Steaming cooking	30°C - 130°C / 86°F - 266°F
Static cooking	-
Delta T cooking	5°C - 115°C Δ / 41 °F - 239 °F Δ
Core probe cooking	◇
Sous vide cooking	◇
Low temperature cooking	◆

DISPLAY AND CONNECTIVITY	
Type of display	2,4" LCD GRAPHIC
Multi-language display	◆
Unit set F° or C°	◆
Venix cloud	◆
Wi-fi	◆
Ethernet port	-
Web server	◆
Usb port	◆

SETTINGS	
Infinity time set	◆
Chimney set	OPEN
Fan speed set	5
Dehumidification set	0-100%
Humidity set	0-100%
Preheat set	AUTOMATIC

RECIPE COOKING	
User recipes book	100
Factory recipes book	-
Cooking cycles	6
Recipes with name and picture	◆
Fast recipe selection buttons	6

SPECIAL CYCLE	
Multi-level mix ALL IN	-
Multi-level mix ALL OUT	-
Food regeneration	-
Overnight cooking	◆
Overnight self clean	◇
Cook & hold	-

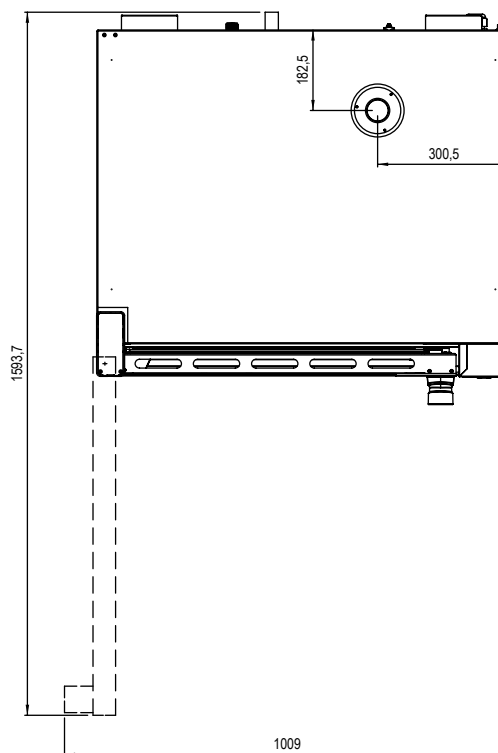
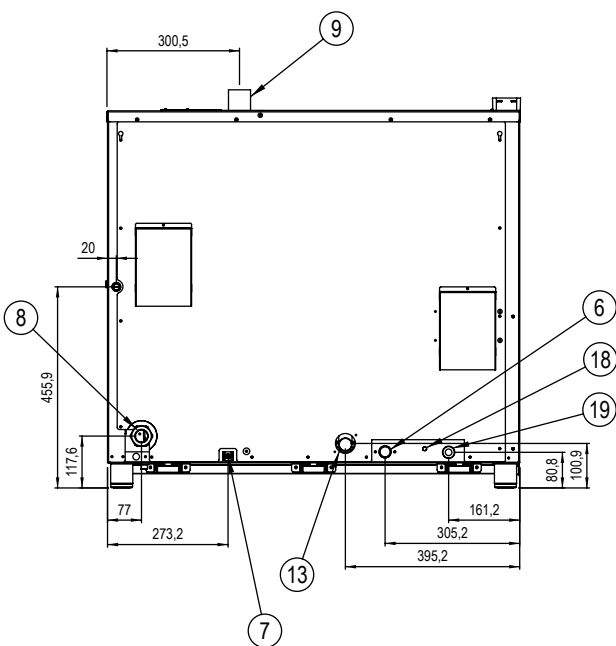
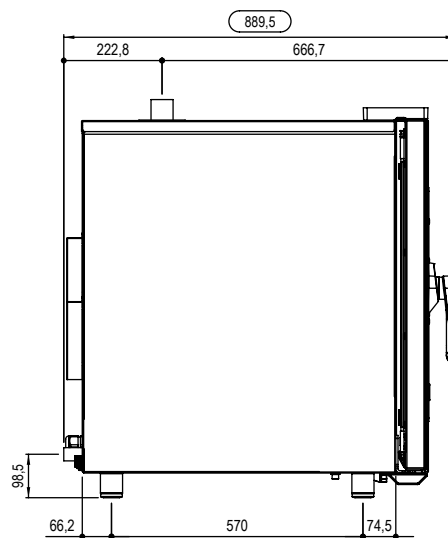
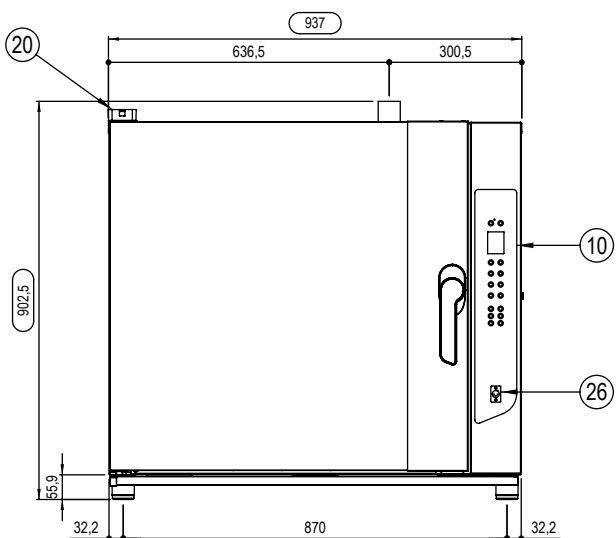


Multi-timer	◆
Routine program	-
Proofing	◆
Fast Cooling	◆
Automatic washing system / Rinse	◇
Fast start	-
Recipe scheduling	◆
Holding / Mass production	◆

TECHNICAL FEATURES

Cooking chamber material	AISI 304
Second core probe	-
Insertion of the trays	HORIZONTALLY
Fast loading Pro	-
Glass door	DOUBLE
Easy clean internal glass	◆
High performance thermal insulation	YES
Break drop nebulizer	◆
Lightning	LED ON THE DOOR
Direct injection humidification	◆
Boiler humidification	-
Opening door	NOT REVERSIBLE (RIGHT HANDLE)
Reversing fan	◆
Heavy duty reversing fan	◆
Phase cut speed control	◆
Inverter speed control	-





06.	WATER IN-LET SOLENOID VALVE G3/4" (HUMIDIFICATION)
07.	UNIPOTENTIAL TERMINAL
08.	COMPRESSION CABLE GLAND
09.	HOT VAPOUR CHIMNEY Ø50MM (1,97")
10.	DIGITAL CONTROL

13.	DRAIN PIPE Ø30MM (1,18)
18.	WATER WASHING SYSTEM 3/4" BSP (GAS)
19.	DEGREASING DETERGENT WASHING SYSTEM
20.	USB CONNECTION
26.	CORE PROBE IN-LET

