

goSensor S | M | L

TECHNICAL SPECIFICATIONS



Code	goSensor S		goSensor M			goSensor L	
	TGS8F1E2	TGS8D1E2	TGM101E2	TGM161E2	TGM201E2	TGL201E2	TGL202E2
Exterior measurements (width x depth x height) (mm)	388 x 501 x 345	388 x 519 x 389	475 x 589 x 438			620 x 599 x 453	
Lid	Flat	Dome	Dome			Dome	
Opening system	Manual	Automatic	Automatic			Automatic	
Chamber measurements (width x depth x height) (mm)	328 x 385 x 115	328 x 385 x 162	412 x 453 x 200			560 x 465 x 210	
Becker vacuum pump (m ³ /h)	8		10	16	20	20	
Sealing bar position							
Approximate vacuum cycle (seconds)	35	40	42	30	28	40	35
Sealing bar length (mm)	315		405			455	455 + 455
Weight (kg)	32	36	47	48,5	55	64	67
Gross weight (kg)	39	43	54	62	64,5	76,5	78
Packaging dimensions (width x depth x height) (mm)	626 x 528 x 640		695 x 615 x 660			825 x 765 x 660	
Power (kW)	0,35		0,37	0,55	0,75	0,75	
Voltage (V/Ph/Hz)	230/L+N/50-60		230/L+N/50-60			230/L+N/50-60	
Minimum vacuum pressure (mbar)	2		2			2	
Lubricating oil	SAE 10 food grade (ISO:32)		SAE 10 food grade (ISO:32)			SAE 10 food grade (ISO:32)	

GENERAL SPECIFICATIONS

- 7-segment LED panel control
- Removable sealing bar without connections
- Soft Air. Delicate food packaging
- Stop function. Possibility to block the vacuum packer for a certain amount of time or for as long as the user wishes
- AutoClean Oil. Oil self-cleaning system
- SCS (Self Calibration System). Patented system that automatically calibrates the vacuum packaging machine
- Sensor-controlled vacuum
- Vac+. Extra vacuum for porous foods
- Liquid packaging programme
- Simple sealing (4mm)
- Equipped with interior polyethylene plate
- Made of AISI 304 18/10 stainless steel
- Well with rounded edges for easy cleaning
- Transparent methacrylate lid allows viewing the food being packed
- Side display for checking the oil level

OPTIONS

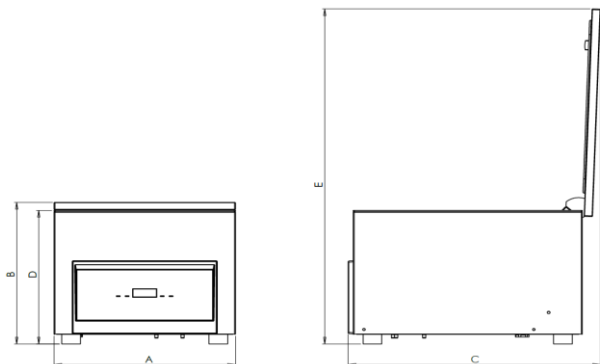
- Busch vacuum pump

ACCESSORIES

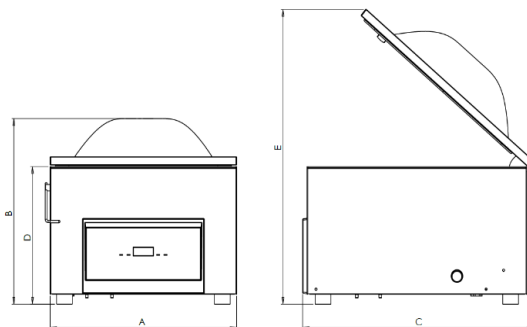
- Support with wheels
- Vacuum pump oil
- Vacuum bags for conservation
- Vacuum cooking bags
- Foam for core probe
- Black polyethylene food grade sheet
- Vacuum bag filling cylinder
- Accessory for liquid packaging

INSTALATION DETAILS

goSensor S flat lid



goSensor S | M | L dome lid



	TGS8F1E2	TGS8D1E2	TGM101E2	TGM161E2	TGM201E2	TGL201E2	TGL202E2
Dimension A (mm)	388			475		620	
Dimension B (mm)	345	389		438		453	
Dimension C (mm)	540	519		589		599	
Dimension D (mm)	325			325		325	
Dimension E (mm)	815	650		696		702	