

Item # _____

Qty # _____

Model # _____

Project # _____



GAS RANGE

ZCR36-2B24G

36" Combination - 2 Burner & 24" Griddle Top



PRODUCT DESCRIPTION

- Stainless steel exterior including front, back sides, kick plate, back guard and over shelf
- Heavy duty 12" X 12" removable, cast iron top grates
- Oven temperature range between 175°F to 500°F
- 3/4" NPT rear gas connection and regulator standard.
- Two(2) chrome oven rack per oven standard, multiple position oven rack guides
- Enamel interior oven for easy cleaning.
- 6" casters with lock for easy mobility.



HIGH QUALITY STAINLESS STEEL & ROBUST DESIGN

GAS RANGE MODEL	DIMENSION		
	Width	Depth	Height
ZCR36-2B24G	36 in	31 1/2 in	56 in



Los Angeles | San Francisco | Dallas
Houston | Florida | Chicago | New Jersey

+1(708) 590-9543

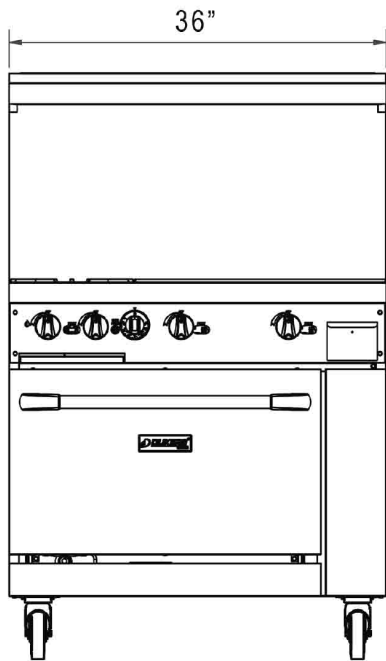
info@zuilex.com

www.zuilex.com

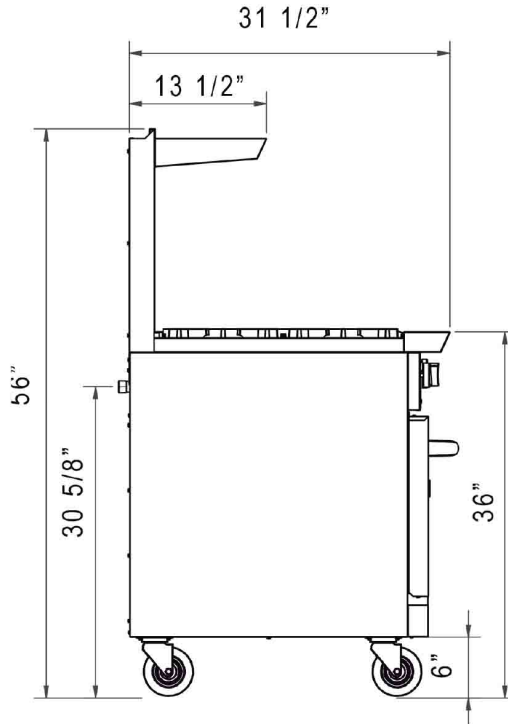
DETAILS & SPECIFICATIONS

ZCR36-2B24G

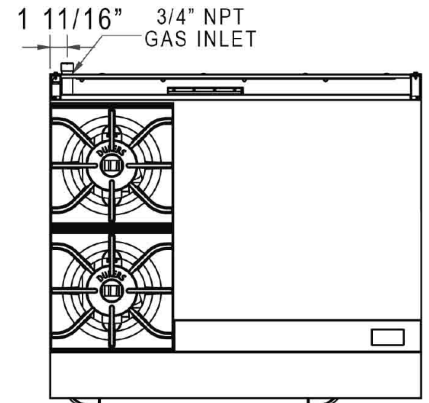
Front View



Side View



Top View





 SANITATION C US
 Conforms to NSF/ANSI7 (ETL)

PROUD MEMBER

 Commercial Food Equipment Service Association

Product Specifications

WORKING AREA	12"x24" & 24"x20"	LPG			NG		
		HOT PLATE	GRIDDLE	OVEN	HOT PLATE	GRIDDLE	OVEN
BURNERS		2	2	1	2	2	1
SINGLE OUTPUT BTU		30000 BTU	28000 BTU	35000 BTU	33000 BTU	28000 BTU	35000 BTU
NOZZLE #		52	53	49	41	43	38
TOTAL OUTPUT BTU		151000 BTU			157000 BTU		
GAS PRESSURE		10			5		

Model	Packaging Dimensions (inches)			Net Weight (lbs)	Ship Weight (lbs)	Container Capacity 40'HQ
	W	D	H			
ZCR36-2B24G	38 1/10	36 4/5"	38 1/5"	399.63	485.43	52



Los Angeles | San Francisco | Dallas
Houston | Florida | Chicago | New Jersey

+1(708) 590-9543

info@zuilex.com

www.zuilex.com