

Item # _____

Qty # _____

Model # _____

Project # _____



GAS RANGE

ZCR36-4B12G

36" Combination - 4 Burner & 12" Griddle Top



PRODUCT DESCRIPTION

- Stainless steel exterior including front, back sides, kick plate, back guard and over shelf
- Heavy duty 12" X 12" removable, cast iron top grates
- Oven temperature range between 175°F to 500°F
- 3/4" NPT rear gas connection and regulator standard.
- Two(2) chrome oven rack per oven standard, multiple position oven rack guides
- Enamel interior oven for easy cleaning.
- 6" casters with lock for easy mobility.



HIGH QUALITY STAINLESS STEEL & ROBUST DESIGN

GAS RANGE MODEL	DIMENSION		
	Width	Depth	Height
ZCR36-4B12G	36 in	31 1/2 in	56 in



Los Angeles | San Francisco | Dallas
Houston | Florida | Chicago | New Jersey

+1(708) 590-9543

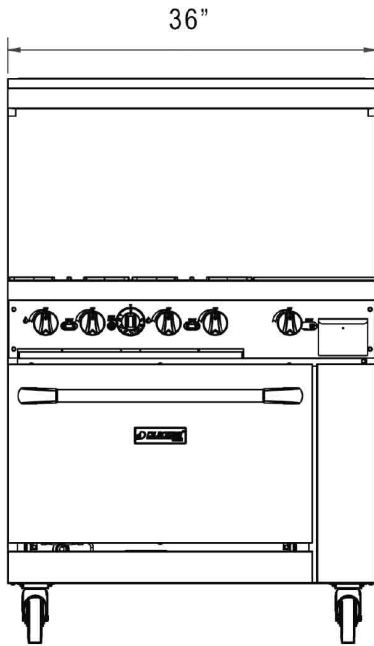
info@zuilex.com

www.zuilex.com

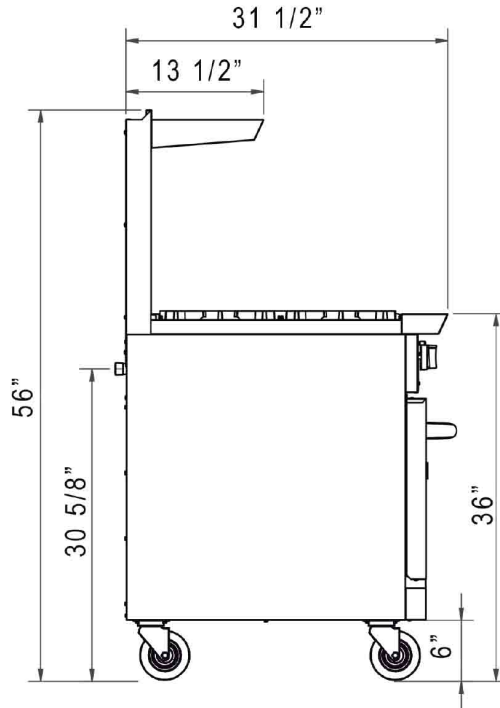
DETAILS & SPECIFICATIONS

ZCR36-4B12G

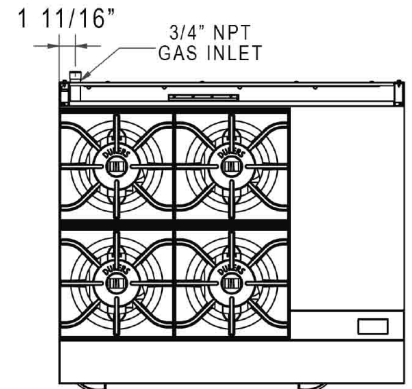
Front View



Side View



Top View



SANITATION



C US

Conforms to NSF/ANSI7 (ETL)



Product Specifications

WORKING AREA 24" x 24" & 12x20"

GAS TYPE LPG/NG

	LPG			NG		
	HOT PLATE	GRIDDLE	OVEN	HOT PLATE	GRIDDLE	OVEN
BURNERS	4	1	1	4	1	1
SINGLE OUTPUT BTU	30000 BTU	28000 BTU	35000 BTU	33000 BTU	28000 BTU	35000 BTU
NOZZLE #	52	53	49	41	43	38
TOTAL OUTPUT BTU	183000 BTU			195000 BTU		
GAS PRESSURE	10			5		

Model	Packaging Dimensions (inches)			Net Weight (lbs)	Ship Weight (lbs)	Container Capacity 40'HQ
	W	D	H			
ZCR36-4B12G	38 1/10"	36 4/5"	38 1/5"	375.76	461.56	52



Los Angeles | San Francisco | Dallas
Houston | Florida | Chicago | New Jersey



+1(708) 590-9543



info@zuilex.com



www.zuilex.com