



# SALAD PREP TABLE

ZSP24-60M  
2-Door / Mega Top



## TECHNICAL SPECIFICATIONS

|                       |                 |
|-----------------------|-----------------|
| Voltage/Frequency     | 220 V/50Hz      |
| Refrigerant           | R290            |
| Type of Defrost       | Automatic       |
| Interior Material     | Stainless Steel |
| Exterior Material     | Stainless Steel |
| Temperature Range °F  | 33 ~ 41°F       |
| Compressor Power (HP) | 1/5             |
| Nema Config.          | NEMA5-15P       |



## PRODUCT FEATURES

- The compressor is mounted in the back and placed in the coolest possible area; this makes it easily accessible for servicing.
- Digital temperature controls with LED display for precise adjustment and automatic defrosting system.
- Temperatures in the cabinet range from 33 to 41 degrees Fahrenheit
- Higher Resistance to dust, high quality condenser.
- R290 Natural Refrigerant promotes faster cool down and efficient energy consumption.
- Self-closing doors at 60° with stay open feature.
- Stainless steel interior & exterior, sealed interior floors, and rounded cabinet corners for easy cleaning.
- 6" deep 1/6 plastic plan included.
- High quality coated stainless adjustable shelves prevent peel and rust.
- Lifetime warranty on hinges.
- 6" casters with lock for easy mobility.



## HIGH QUALITY STAINLESS STEEL & ROBUST DESIGN



Los Angeles | San Francisco | Dallas  
Houston | Florida | Chicago | New Jersey

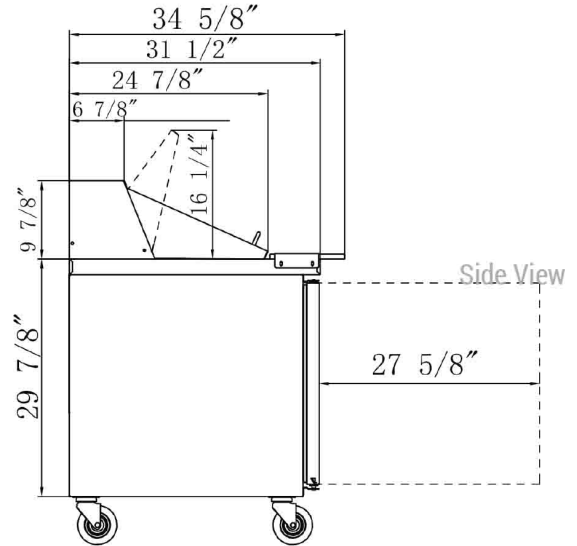
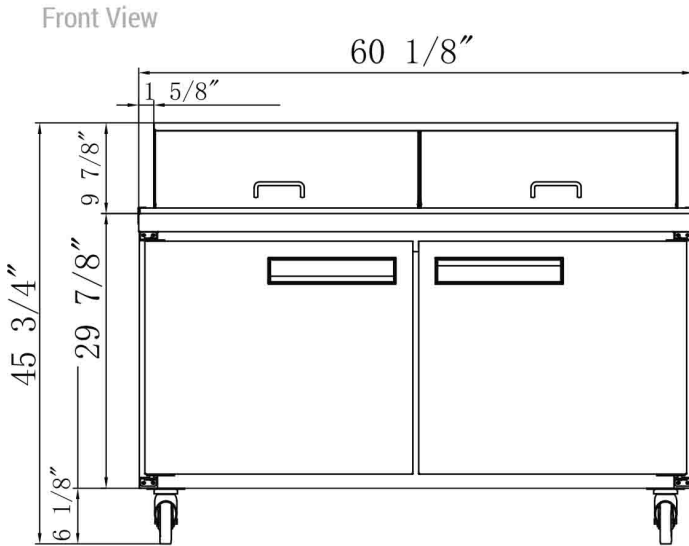
+1(708) 590-9543

info@zuilex.com

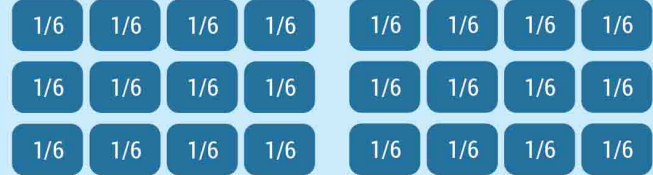
www.zuilex.com

# DETAILS & SPECIFICATIONS

## SALAD PREP TABLE ZSP24-60M



### 1/6 PAN COUNT: 24



|                           |              |
|---------------------------|--------------|
| Cutting Board Size        | 60 x 9       |
| Rated Voltage             | 220 V        |
| Rated Frequency           | 50 Hz        |
| Total Input Power         | 280W         |
| Total Current             | 2.4A         |
| Total Capacity            | 14.33 cu ft  |
| Climatic Category         | 4-5          |
| Protection Type           | I            |
| Design Pressure High Side | 300 PSIG     |
| Design Pressure Low Side  | 150 PSIG     |
| Insulation Blowing Gas    | C-Pentane    |
| Refrigerant               | R290/3.88 oz |

| MODEL     | EXTERNAL DIMENSION<br>WXDXH (INCHES) | PACKAGING DIMENSION<br>WXDXH (INCHES) | PRODUCT NET<br>WEIGHT | # OF<br>SHELVES | 40HQ<br>CONTAINER CERT. |
|-----------|--------------------------------------|---------------------------------------|-----------------------|-----------------|-------------------------|
| ZSP24-60M | 60 1/8 x 31 1/2 x 46                 | 64 3/8 x 35 7/8 x 48 3/8              | 275 lbs               | 2               | 28                      |



Los Angeles | San Francisco | Dallas  
Houston | Florida | Chicago | New Jersey

+1(708) 590-9543

info@zuilex.com

www.zuilex.com