



REACH IN FREEZER

Z28AF

Top Mounted / Solid Door



i TECHNICAL SPECIFICATIONS

Voltage/Frequency	220V/50Hz
Refrigerant	R290
Type of Defrost	Automatic
Internal Material	Stainless Steel
Exterior Material	Stainless Steel
Temperature Range °F	0 ~ -8°F
Compressor Power (HP)	3/4
Nema Config.	NEMA5-15P



PRODUCT FEATURES



The compressor is mounted in the top and placed in the coolest possible area; this makes it easily accessible for servicing.



Digital temperature controls with LED display for precise adjustment and automatic defrosting system.



Temperatures in the cabinet range from 0 to -8 degrees Fahrenheit



Self closing doors with stay open feature.



R290 Natural Refrigerant promotes faster cool down and efficient energy consumption.



Epoxy coated wire shelves.



Stainless steel interior & exterior, sealed interior floors, and rounded cabinet corners for easy cleaning.



High quality coated stainless adjustable shelves prevent peel and rust.



Lifetime warranty on hinges.



Adjustable front locking casters.



HIGH QUALITY STAINLESS STEEL & ROBUST DESIGN



Los Angeles | San Francisco | Dallas
Houston | Florida | Chicago | New Jersey



+1(708) 590-9543



info@zuilex.com

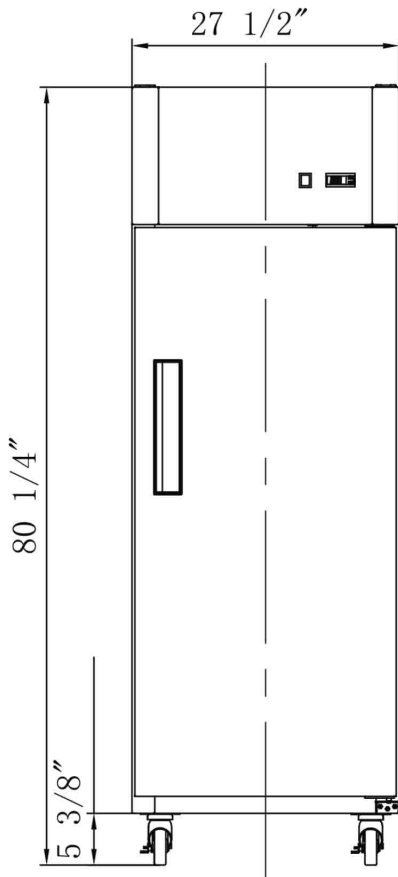


www.zuilex.com

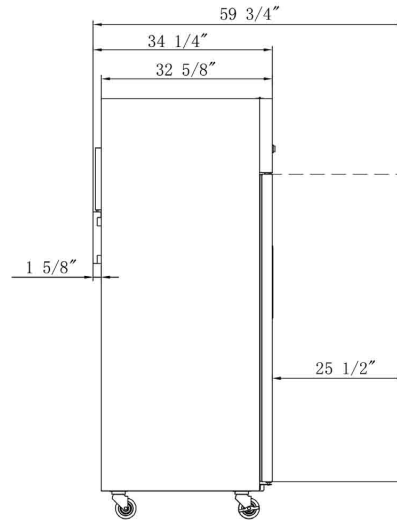
DETAILS & SPECIFICATIONS

Z28AF

Front View



Side View



Rated Voltage	220 V
Rated Frequency	50 Hz
Total Input Power	750 W
Total Current	9.5 A
Total Capacity	18.31 cu ft
Climatic Category	4-5
Protection Type	I
Design Pressure High Side	300 PSIG
Design Pressure Low Side	150 PSIG
Insulation Blowing Gas	C-Pentane
Refrigerant	R290/4.41 oz

MODEL	EXTERNAL DIMENSION WXDXH (INCHES)	PACKAGING DIMENSION WXDXH (INCHES)	PRODUCT NET WEIGHT	# OF SHELVES	40HQ CONTAINER CERT.
Z28AF	27 1/2 x 34 1/4 x 80 1/4	29 1/2 x 35 1/4 x 82 1/4	287 lbs	4	39



Los Angeles | San Francisco | Dallas
Houston | Florida | Chicago | New Jersey

+1(708) 590-9543

info@zuilex.com

www.zuilex.com