



REACH IN FREEZER

Z28AF

Top Mounted / Solid Door



Lorem ipsum dolor sit amet, consectetur

i TECHNICAL SPECIFICATIONS

- Voltage/Frequency 220V/50Hz
- Refrigerant R290
- Type of Defrost Automatic
- Interior Material Stainless Steel
- Exterior Material Stainless Steel
- Temperature Range °F 0 ~ -8°F
- Compressor Power (HP) 3/4
- Nema Config. NEMA5-15P



PRODUCT FEATURES

- The compressor is mounted in the top and placed in the coolest possible area; this makes it easily accessible for servicing.
- Digital temperature controls with LED display for precise adjustment and automatic defrosting system.
- Temperatures in the cabinet range from 0 to -8 degrees Fahrenheit
- Self closing doors with stay open feature.
- R290 Natural Refrigerant promotes faster cool down and efficient energy consumption.
- Epoxy coated wire shelves.
- Stainless steel interior & exterior, sealed interior floors, and rounded cabinet corners for easy cleaning.
- High quality coated stainless adjustable shelves prevent peel and rust.
- Lifetime warranty on hinges.
- Adjustable front locking casters.



HIGH QUALITY STAINLESS STEEL & ROBUST DESIGN



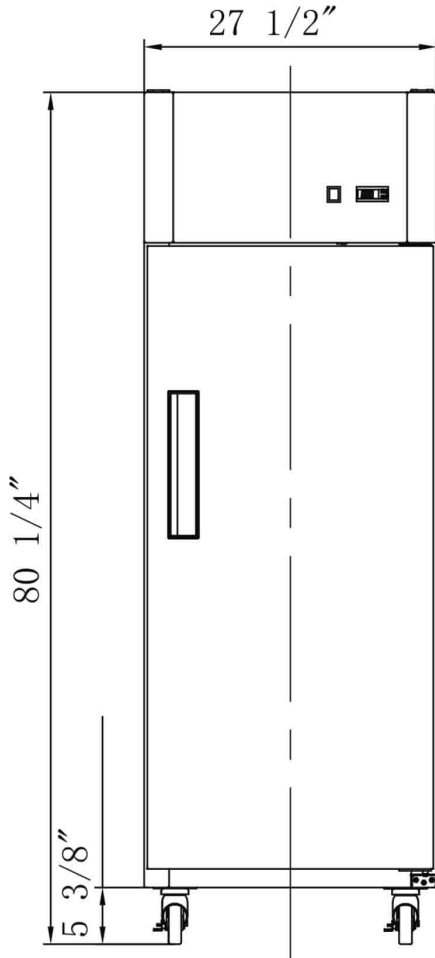
Los Angeles | San Francisco | Dallas
Houston | Florida | Chicago | New Jersey

- +1(708) 590-9543
- info@zuilex.com
- www.zuilex.com

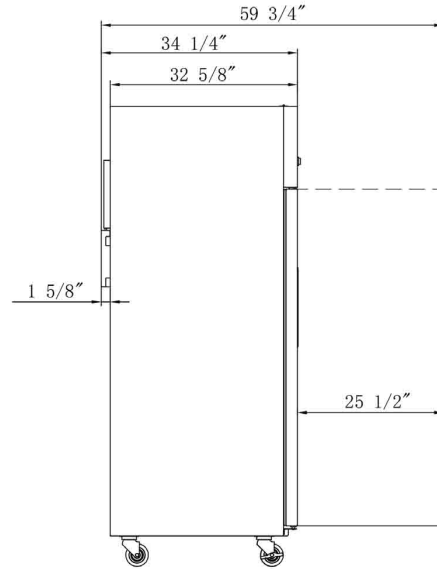
DETAILS & SPECIFICATIONS

Z28AF

Front View



Side View



Rated Voltage	220 V
Rated Frequency	50Hz
Total Input Power	750W
Total Current	9.5A
Total Capacity	18.31cu ft
Climatic Category	4-5
Protection Type	I
Design Pressure High Side	300 PSIG
Design Pressure Low Side	150 PSIG
Insulation Blowing Gas	C-Pentane
Refrigerant	R290/4.41 oz

MODEL	EXTERNAL DIMENSION WXDXH (INCHES)	PACKAGING DIMENSION WXDXH (INCHES)	PRODUCT NET WEIGHT	# OF SHELVES	40HQ CONTAINER CERT.
Z28AF	27 1/2 x 34 1/4 x 80 1/4	29 1/2 x 35 1/4 x 82 1/4	287 lbs	4	39



AutoQuotes



Los Angeles | San Francisco | Dallas
Houston | Florida | Chicago | New Jersey

+1(708) 590-9543

info@zuilex.com

www.zuilex.com