



## REACH IN REFRIGERATOR

Z83AR

Top Mounted / 3-Solid Door



### **i** TECHNICAL SPECIFICATIONS

Voltage/Frequency	220 V/50Hz
Refrigerant	R290
Type of Defrost	Automatic
Interior Material	Stainless Steel
Exterior Material	Stainless Steel
Temperature Range °F	33 ~ 41°F
Compressor Power (HP)	1/2+
Nema Config.	NEMA5-15P



### PRODUCT FEATURES



The compressor is mounted in the top and placed in the coolest possible area; this makes it easily accessible for servicing.



Digital temperature controls with LED display for precise adjustment and automatic defrosting system.



Temperatures in the cabinet range from 33 to 41 degrees Fahrenheit



Self closing doors with stay open feature.



R290 Natural Refrigerant promotes faster cool down and efficient energy consumption.



Epoxy coated wire shelves.



Stainless steel interior & exterior, sealed interior floors, and rounded cabinet corners for easy cleaning.



High quality coated stainless adjustable shelves prevent peel and rust.



Lifetime warranty on hinges.



Adjustable front locking casters.



### HIGH QUALITY STAINLESS STEEL & ROBUST DESIGN



Los Angeles | San Francisco | Dallas  
Houston | Florida | Chicago | New Jersey



+1(708) 590-9543



info@zuilex.com

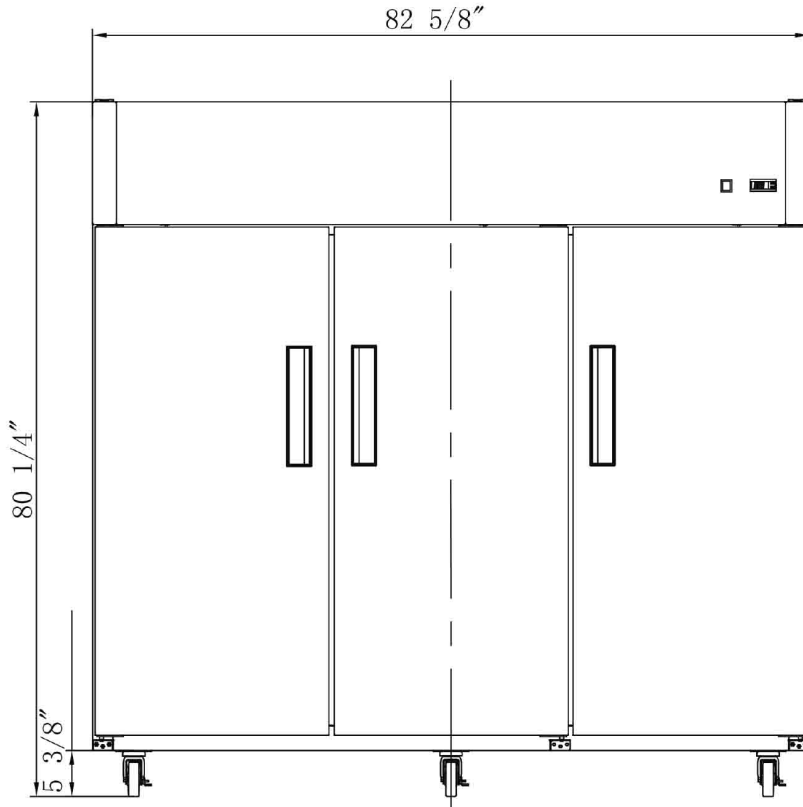


www.zuilex.com

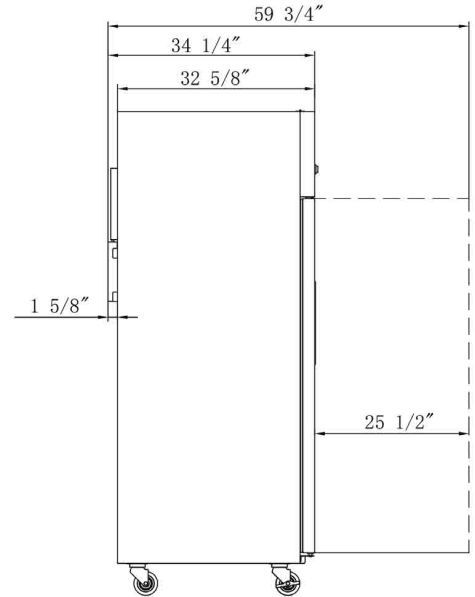
# DETAILS & SPECIFICATIONS

Z83AR

Front View



Side View



Rated Voltage	220 V
Rated Frequency	50 Hz
Total Input Power	730W
Total Current	8.6A
Total Capacity	64.80 cu ft
Climatic Category	4-5
Protection Type	I
Design Pressure High Side	300 PSIG
Design Pressure Low Side	150 PSIG
Insulation Blowing Gas	C-Pentane
Refrigerant	R290/5.22 oz

MODEL	EXTERNAL DIMENSION WXDXH (INCHES)	PACKAGING DIMENSION WXDXH (INCHES)	PRODUCT NET WEIGHT	# OF SHELVES	40HQ CONTAINER CERT.
Z83AR	82 5/8 x 34 1/4 x 80 1/4	84 1/4 x 35 1/4 x 82 1/4	595 lbs	12	13



Los Angeles | San Francisco | Dallas  
Houston | Florida | Chicago | New Jersey

+1(708) 590-9543

info@zuilex.com

www.zuilex.com