



## REACH IN DUAL (Refrigerator and Freezer)

Z83ARF  
Top Mounted / 3-Solid Door



### **i** TECHNICAL SPECIFICATIONS

Voltage/Frequency 220 V/50Hz  
Refrigerant R290  
Type of Defrost Automatic  
Interior Material Stainless Steel  
Exterior Material Stainless Steel  
Temperature Range °F Freezer: 0 ~ -8°F  
Refrigerator: 33 ~ 41°F  
Compressor Power (HP) 1/2 ++3/4  
Nema Config. NEMA5-15P



### PRODUCT FEATURES



The compressor is mounted in the top and placed in the coolest possible area; this makes it easily accessible for servicing.



Digital temperature controls with LED display for precise adjustment and automatic defrosting system.



One section freezer, two section refrigerator  
Freezer: 0 ~ -8°F, Refrigerator: 33 ~ 41°F



Self closing doors with stay open feature.



R290 Natural Refrigerant promotes faster cool down and efficient energy consumption.



Epoxy coated wire shelves.



Stainless steel interior & exterior, sealed interior floors, and rounded cabinet corners for easy cleaning.



High quality coated stainless adjustable shelves prevent peel and rust.



Lifetime warranty on hinges.



Adjustable front locking casters.



### HIGH QUALITY STAINLESS STEEL & ROBUST DESIGN



Los Angeles | San Francisco | Dallas  
Houston | Florida | Chicago | New Jersey



+1(708) 590-9543



info@zuilex.com

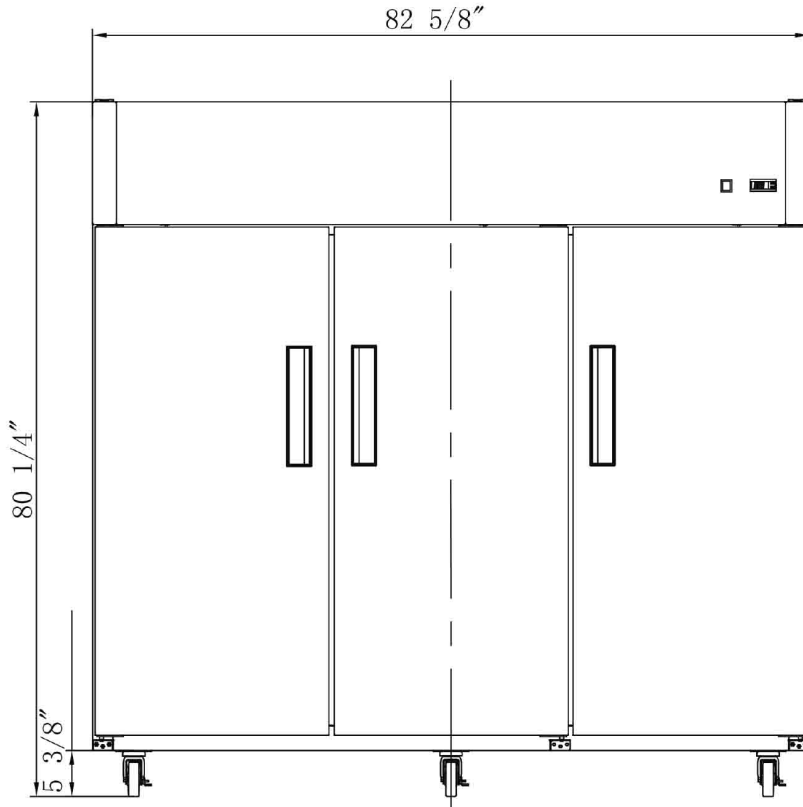


www.zuilex.com

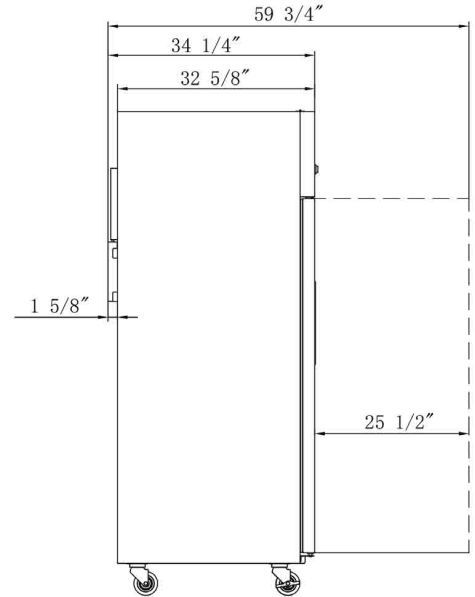
# DETAILS & SPECIFICATIONS

## Z83ARF

Front View



Side View



Rated Voltage	220 V
Rated Frequency	50 Hz
Total Input Power	500W + 800W
Total Current	5A + 9A
Total Capacity	42.65 + 19.95 cu ft
Climatic Category	4-5
Protection Type	I
Design Pressure High Side	300 PSIG
Design Pressure Low Side	150 PSIG
Insulation Blowing Gas	C-Pentane
Refrigerant	R290/4.23 + 3.7 oz

MODEL	EXTERNAL DIMENSION WXDXH (INCHES)	PACKAGING DIMENSION WXDXH (INCHES)	PRODUCT NET WEIGHT	# OF SHELVES	40HQ CONTAINER CERT.
Z83ARF	82 5/8 x 34 1/4 x 80 1/4	84 5/8 x 35 1/4 x 82 1/4	700 lbs	12	13



Los Angeles | San Francisco | Dallas  
Houston | Florida | Chicago | New Jersey

+1(708) 590-9543

info@zuilex.com

www.zuilex.com