

Item # _____
 Qty # _____
 Model # _____
 Project # _____



GRIDDLE

ZCGM36



Waste Tray

Oil Tray

PRODUCT DESCRIPTION

- Stainless steel exterior and interior.
- 30,000 BTU Burners per 12" section with standby pilots.
- Independent manual controls every 12".
- Heavy duty 3/4" thick polished steel griddle plate.
- Each griddle is shipped with Standard Natural Gas, LP conversion kit.
- Adjustable, stainless steel legs standard.
- Full length seamless drip pan, easy to remove and clean.

HIGH QUALITY STAINLESS STEEL & ROBUST DESIGN

* All measures are presented in inches

GRIDDLE MODEL	DIMENSION		
	Width	Depth	Height
ZCGM36	36 in	30 in	15 1/4 in



Los Angeles | San Francisco | Dallas
 Houston | Florida | Chicago | New Jersey

+1(708) 590-9543

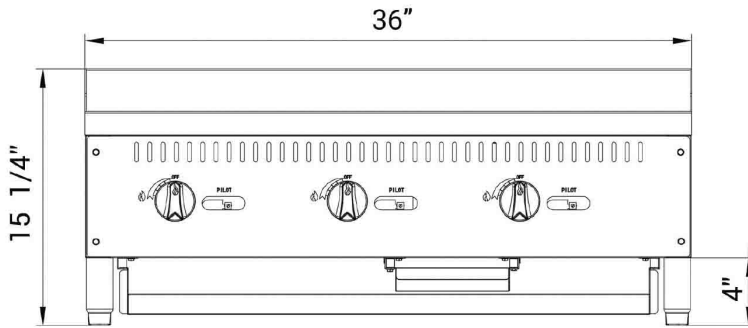
info@zuilex.com

www.zuilex.com

DETAILS & SPECIFICATIONS

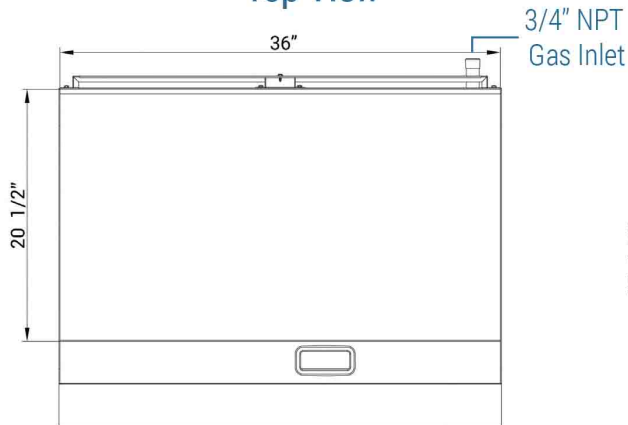
ZCGM36

Front View

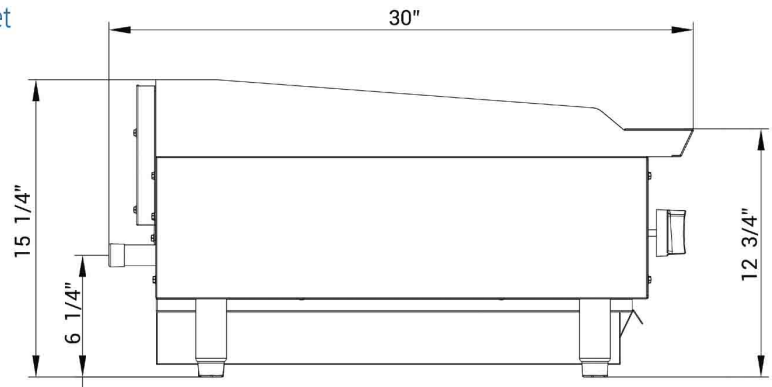


GAS SOURCE	NG/Propane
WORK AREA	35.86" x 20.50"
BURNER	3 count
SINGLE BURNER	30000 BTU/H
COMBINED	90000 BTU/H
GAS PRESSURE	NG: 4 "WC Propane: 10 "WC
NOZZEL	NG: 37# Propane: 51#
CONTAINER FITMENT	140

Top View



Side View



Model	Packaging Dimensions (inches)			Net Weight (lbs)	Ship Weight (lbs)
	W	D	H		
ZCGM36	38 1/4"	32 5/8"	20 1/2"	244.71	275.5



Los Angeles | San Francisco | Dallas
Houston | Florida | Chicago | New Jersey

+1(708) 590-9543

info@zuilex.com

www.zuilex.com