

Item # \_\_\_\_\_

Qty # \_\_\_\_\_

Model # \_\_\_\_\_

Project # \_\_\_\_\_



# GRIDDLE

ZCGM24



Waste Tray



Oil Tray



## PRODUCT DESCRIPTION

- ✦ Stainless steel exterior and interior.
- 🔥 30,000 BTU Burners per 12" section with standby pilots.
- 🕒 Independent manual controls every 12".
- 🍳 Heavy duty 3/4" thick polished steel griddle plate.
- 🕒 Each griddle is shipped with Standard Natural Gas, LP conversion kit.
- 📏 Adjustable, stainless steel legs standard.
- 🧼 Full length seamless drip pan, easy to remove and clean.



## HIGH QUALITY STAINLESS STEEL & ROBUST DESIGN

\* All measures are presented in inches

GRIDDLE MODEL	DIMENSION		
	Width	Depth	Height
ZCGM24	24 in	30 in	15 1/4 in



Los Angeles | San Francisco | Dallas  
Houston | Florida | Chicago | New Jersey



+1(708) 590-9543



info@zuilex.com

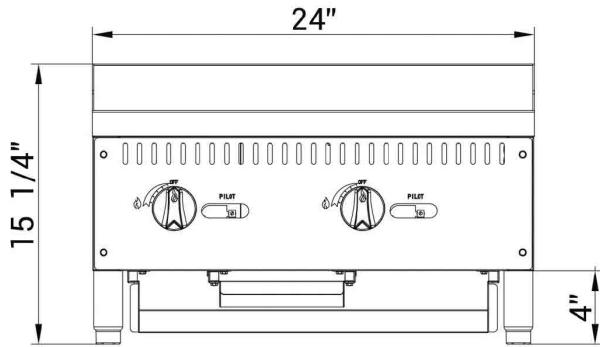


www.zuilex.com

# DETAILS & SPECIFICATIONS

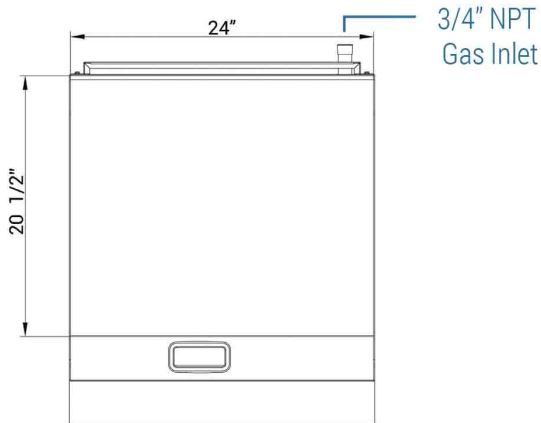
## ZCGM24

Front View

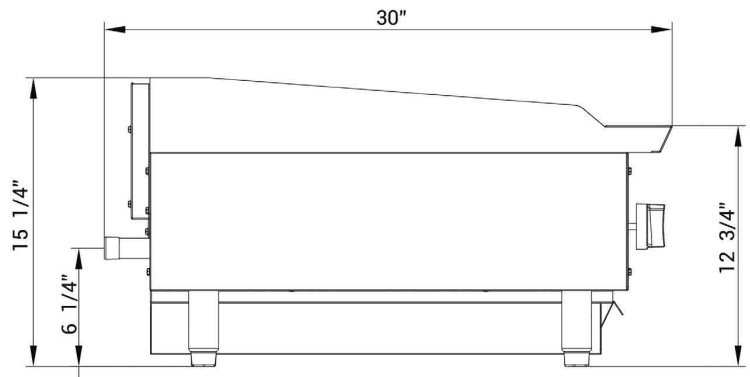


GAS SOURCE	NG/Propane
WORK AREA	23.86" x 20.50"
BURNER	2 count
SINGLE BURNER	30000 BTU/H
COMBINED	60000 BTU/H
GAS PRESSURE	NG: 4 "WC Propane: 10 "WC
NOZZEL	NG: 37# Propane: 51#
CONTAINER FITMENT	250

Top View



Side View



Model	Packaging Dimensions (inches)			Net Weight (lbs)	Ship Weight (lbs)
	W	D	H		
ZCGM24	26 1/8"	32 5/8"	20 1/2"	176.37	198.42



Los Angeles | San Francisco | Dallas  
Houston | Florida | Chicago | New Jersey

+1(708) 590-9543

info@zuilex.com

www.zuilex.com