

Item # _____

Qty # _____

Model # _____

Project # _____



HOT PLATE TWO BURNER ZCHPA12



Catch Tray



Surface



Legs



PRODUCT DESCRIPTION

- Stainless steel exterior and interior.
- 28,000 BTU stainless steel burners with standby pilot.
- Lift-off cast iron burner.
- Independent manual controls every 12".
- "Cool-to-the-touch" front s/s edge.
- Each hot plate is shipped with Standard Natural Gas, LP conversion kit.
- Adjustable, stainless steel legs standard.
- Full length seamless drip pan, easy to remove and clean.



HIGH QUALITY STAINLESS STEEL & ROBUST DESIGN

HOT PLATE MODEL	DIMENSION		
	Width	Depth	Height
ZCHPA12	12 in	28 3/4 in	13 3/8 in



Los Angeles | San Francisco | Dallas
Houston | Florida | Chicago | New Jersey

+1(708) 590-9543

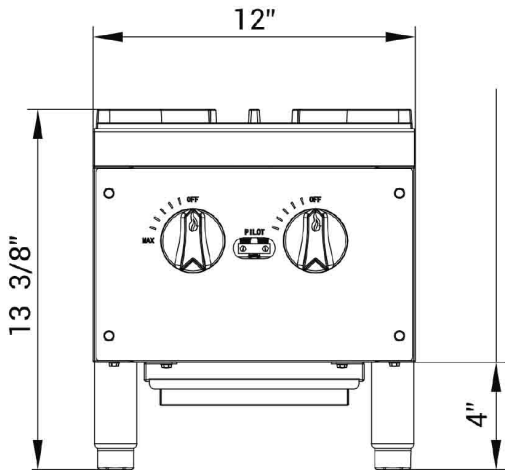
info@zuilex.com

www.zuilex.com

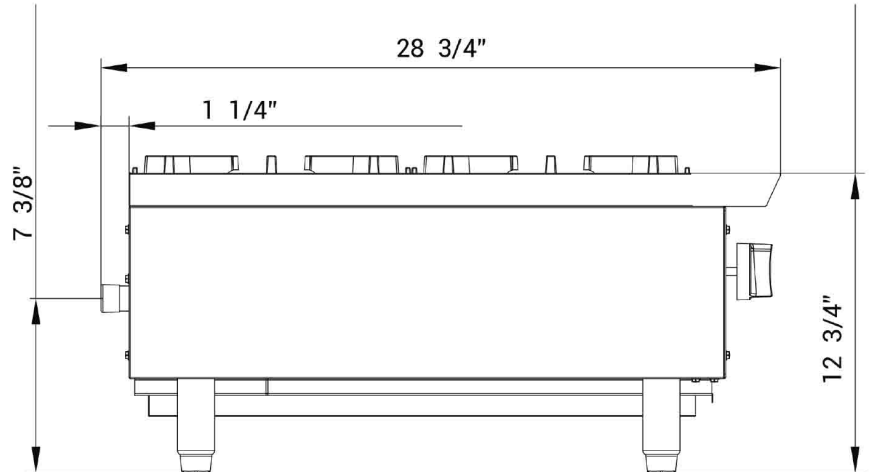
DETAILS & SPECIFICATIONS

HOT PLATE ZCHPA12

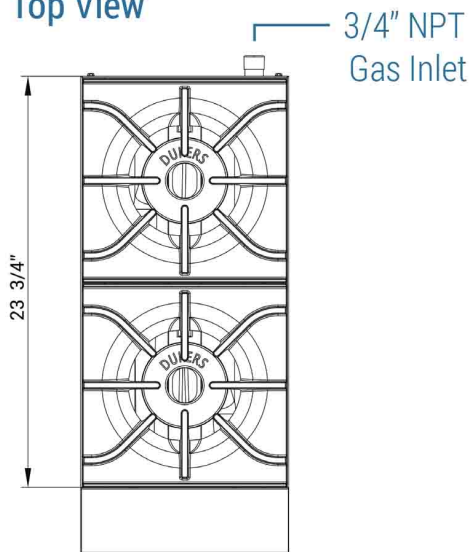
Front View



Side View



Top View



GAS SOURCE	NG/Propane
WORK AREA	11.81x23.62in
BURNER	2 count
SINGLE BURNER	28000 BTU/H
COMBINED	56000 BTU/H
GAS PRESSURE	NG: 4 "WC Propane: 10 "WC
NOZZEL	NG: 40# Propane: 52#
CONTAINER FITMENT	480



Model	Packaging Dimensions (inches)			Net Weight (lbs)	Ship Weight (lbs)
	W	D	H		
ZCHPA12	14 1/8"	32 5/8"	17 3/4"	66.14	88.18



Los Angeles | San Francisco | Dallas
Houston | Florida | Chicago | New Jersey

+1(708) 590-9543

info@zuilex.com

www.zuilex.com