

Item # _____
 Qty # _____
 Model # _____
 Project # _____



ZCRANGE-6B24GM

60" Combination - 6 Burner & 24" Griddle Top



Knobs



Cooking Surface



PRODUCT DESCRIPTION

- ✦✦ Stainless steel exterior including front, back sides, kick plate, back guard and over shelf
- 🍳 Heavy duty 12" X 12" removable, cast iron top grates
- 🌡️ Oven temperature range between 175°F to 500°F
- 🔌 3/4" NPT rear gas connection and regulator standard.
- 🍽️ Two(2) chrome oven rack per oven standard, multiple position oven rack guides
- 🍳 Enamel interior oven for easy cleaning.
- 🛞 6" casters with lock for easy mobility.



HIGH QUALITY STAINLESS STEEL & ROBUST DESIGN

GAS RANGE MODEL	DIMENSION		
	Width	Depth	Height
ZCR60-6B24GM	60 in	31 1/2 in	56 in



Los Angeles | San Francisco | Dallas
 Houston | Florida | Chicago | New Jersey

+1(708) 590-9543

info@zuilex.com

www.zuilex.com

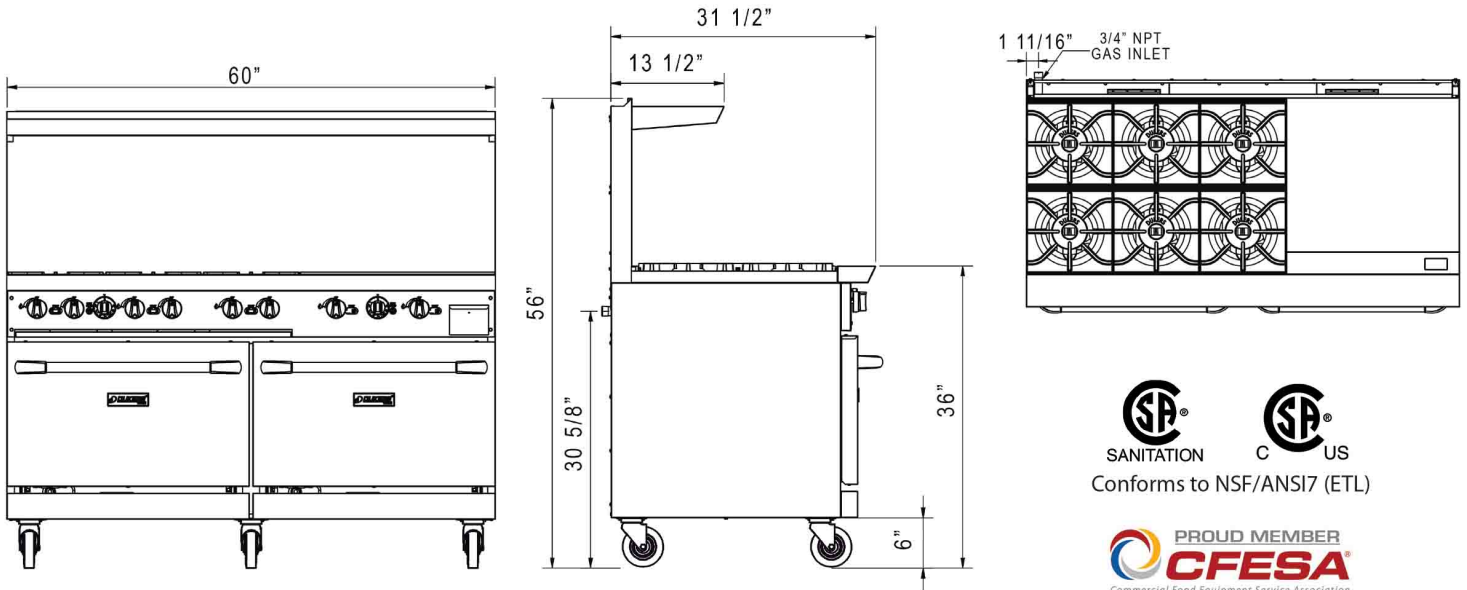
DETAILS & SPECIFICATIONS

ZCR60-6B24GM

Front View

Side View

Top View





 SANITATION C US
 Conforms to NSF/ANSI7 (ETL)


 PROUD MEMBER
CFESA
Commercial Food Equipment Service Association

Product Specifications

WORKING AREA 36"x24" & 24"x20"

GAS TYPE LPG/NG

BURNERS	LPG			NG		
	HOT PLATE	GRIDDLE	OVEN	HOT PLATE	GRIDDLE	OVEN
SINGLE OUTPUT BTU	30000 BTU	28000 BTU	35000 BTU	33000 BTU	28000 BTU	35000 BTU
NOZZLE #	52	53	49	41	43	38
TOTAL OUTPUT BTU	306000 BTU			324000 BTU		
GAS PRESSURE	10			5		

Model	Packaging Dimensions (inches)			Net Weight (lbs)	Ship Weight (lbs)	Container Capacity 40'HQ
	W	D	H			
ZCR60-6B24GM	62"	36 4/5"	38 1/5"	626.12	744.92	44



Los Angeles | San Francisco | Dallas
Houston | Florida | Chicago | New Jersey

 +1(708) 590-9543

 info@zuilex.com

 www.zuilex.com