



Item # _____
 Qty # _____
 Model # _____
 Project # _____



STOCK POT DCSP2



Knobs



Cast Iron Cooking Surface



Catch Tray



Ventilation



Legs



PRODUCT DESCRIPTION

- ✦ Stainless steel sides and front valve cover.
- 🔧 Stainless steel tubing for pilots and pilot tips per burner ring.
- 🔥 Heavy duty cast iron three-ring burner, rated at a total of 160,000 BTU/h.
- 🔧 Each burner is equipped with two continuous pilots.
- 🔧 Heavy duty cast iron and top grates.
- 👉 Two manual controls to operate the inner and outer rings independently.
- 📏 3/4" NPT rear gas connection and regulator standard.
- 📏 Stainless steel legs standard.
- 🧼 Full length seamless drip pan for easy cleanup.



HIGH QUALITY STAINLESS STEEL & ROBUST DESIGN

STOCK POT MODEL	DIMENSION		
	Width	Depth	Height
DCSP2	18 in	52 2/8 in	22 5/8 in



Los Angeles | San Francisco | Dallas
 Houston | Florida | Chicago | New Jersey

+1(708) 590-9543

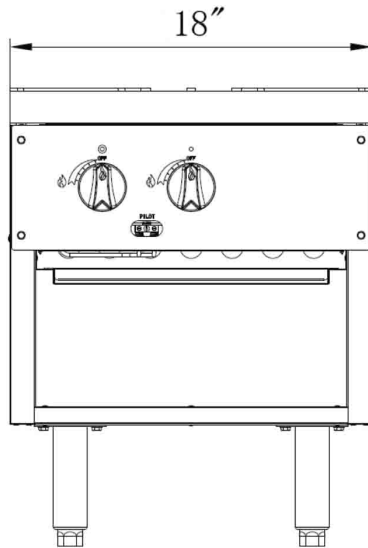
info@zuilex.com

www.zuilex.com

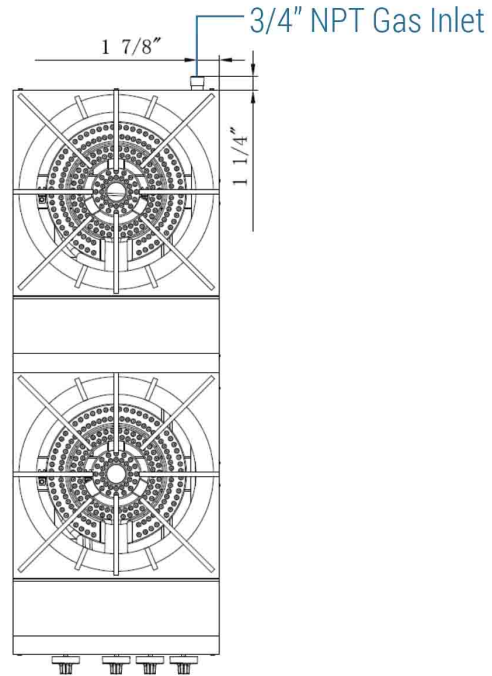
DETAILS & SPECIFICATIONS

STOCK POT DCSP2

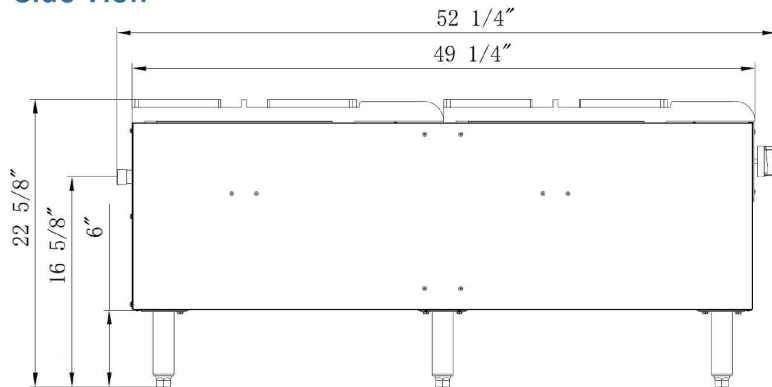
Front View



Top View



Side View



DCSP2

GAS SOURCE	NG/Propane
COOKING AREA	18x49 1/4 in
BURNER	4 count
SINGLE BURNER	40000 BTU/H
COMBINED	160000 BTU/H
GAS PRESSURE	NG: 5 "WC Propane: 10 "WC
NOZZEL	NG: 32# Propane: 48#



Model	Packaging Dimensions (inches)			Net Weight (lbs)	Ship Weight (lbs)	Container Capacity 40'HQ
	W	D	H			
DCSP2	21 1/8"	55 1/2"	24"	224	310	132



Los Angeles | San Francisco | Dallas
Houston | Florida | Chicago | New Jersey

+1(708) 590-9543

info@zuilex.com

www.zuilex.com