



UNDERCOUNTER FREEZER

MODEL ZUC48F
2-Door



TECHNICAL SPECIFICATIONS

| | |
|-----------------------|-----------------|
| Voltage/Frequency | 220V/50Hz |
| Refrigerant | R290 |
| Type of Defrost | Automatic |
| Interior Material | Stainless Steel |
| Exterior Material | Stainless Steel |
| Temperature Range °F | 0 ~ -8°F |
| Compressor Power (HP) | 1/2- |
| Nema Config. | NEMA5-15P |



PRODUCT FEATURES

- The compressor is mounted in the back and placed in the coolest possible area; this makes it easily accessible for servicing.
- Digital temperature controls with LED display for precise adjustment and automatic defrosting system.
- Temperatures in the cabinet range from 0 to -8 degrees Fahrenheit.
- Higher Resistance to dust, high quality condenser.
- R290 Natural Refrigerant promotes faster cool down and efficient energy consumption.
- Self-closing doors at 60° with stay open feature.
- Stainless steel interior & exterior, sealed interior floors, and rounded cabinet corners for easy cleaning.
- High quality coated stainless adjustable shelves prevent peel and rust.
- Lifetime warranty on hinges.
- 6" casters with lock for easy mobility.



HIGH QUALITY STAINLESS STEEL & ROBUST DESIGN



Los Angeles | San Francisco | Dallas
Houston | Florida | Chicago | New Jersey

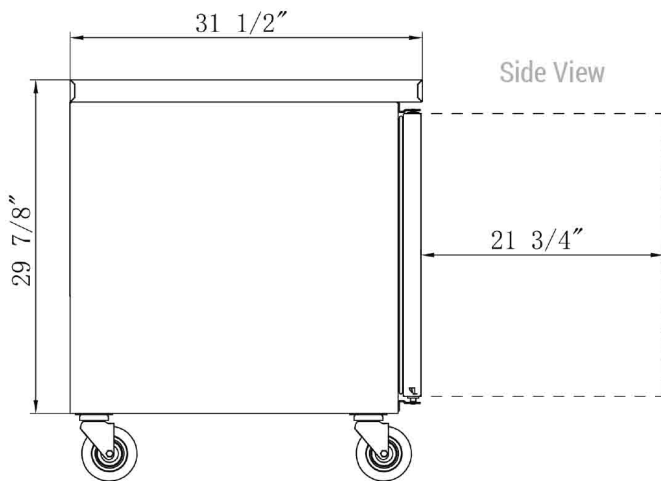
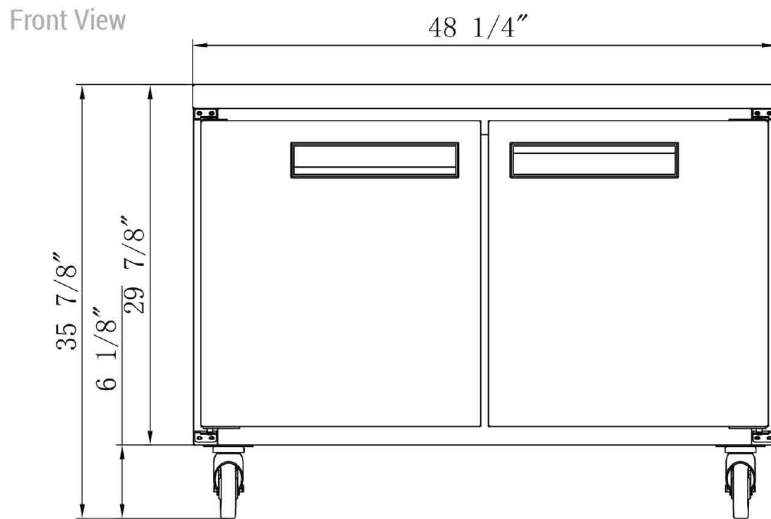
+1(708) 590-9543

info@zuilex.com

www.zuilex.com

DETAILS & SPECIFICATIONS

UNDERCOUNTER ZUC48F



| | |
|---------------------------|-------------|
| Rated Voltage | 220 V |
| Rated Frequency | 50Hz |
| Total Input Power | 660W |
| Total Current | 8.0A |
| Total Capacity | 12.21 cu ft |
| Climatic Category | 4-5 |
| Protection Type | I |
| Design Pressure High Side | 300 PSIG |
| Design Pressure Low Side | 150 PSIG |
| Insulation Blowing Gas | C-Pentane |
| Refrigerant | R290/3.70oz |

| MODEL | EXTERNAL DIMENSION WXDXH (INCHES) | PACKAGING DIMENSION WXDXH (INCHES) | PRODUCT NET WEIGHT | # OF SHELVES | 40HQ CONTAINER CERT. |
|--------|--------------------------------------|---------------------------------------|-----------------------|-----------------|-------------------------|
| ZUC48F | 48 1/4 x 31 1/2 x 36 | 49 5/8 x 33 1/8 x 39 3/8 | 211 lbs | 2 | 46 |



Los Angeles | San Francisco | Dallas
Houston | Florida | Chicago | New Jersey

+1(708) 590-9543

info@zuilex.com

www.zuilex.com