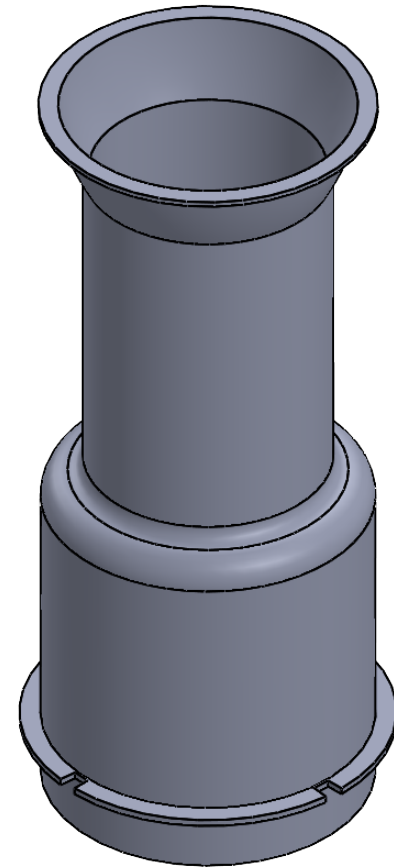
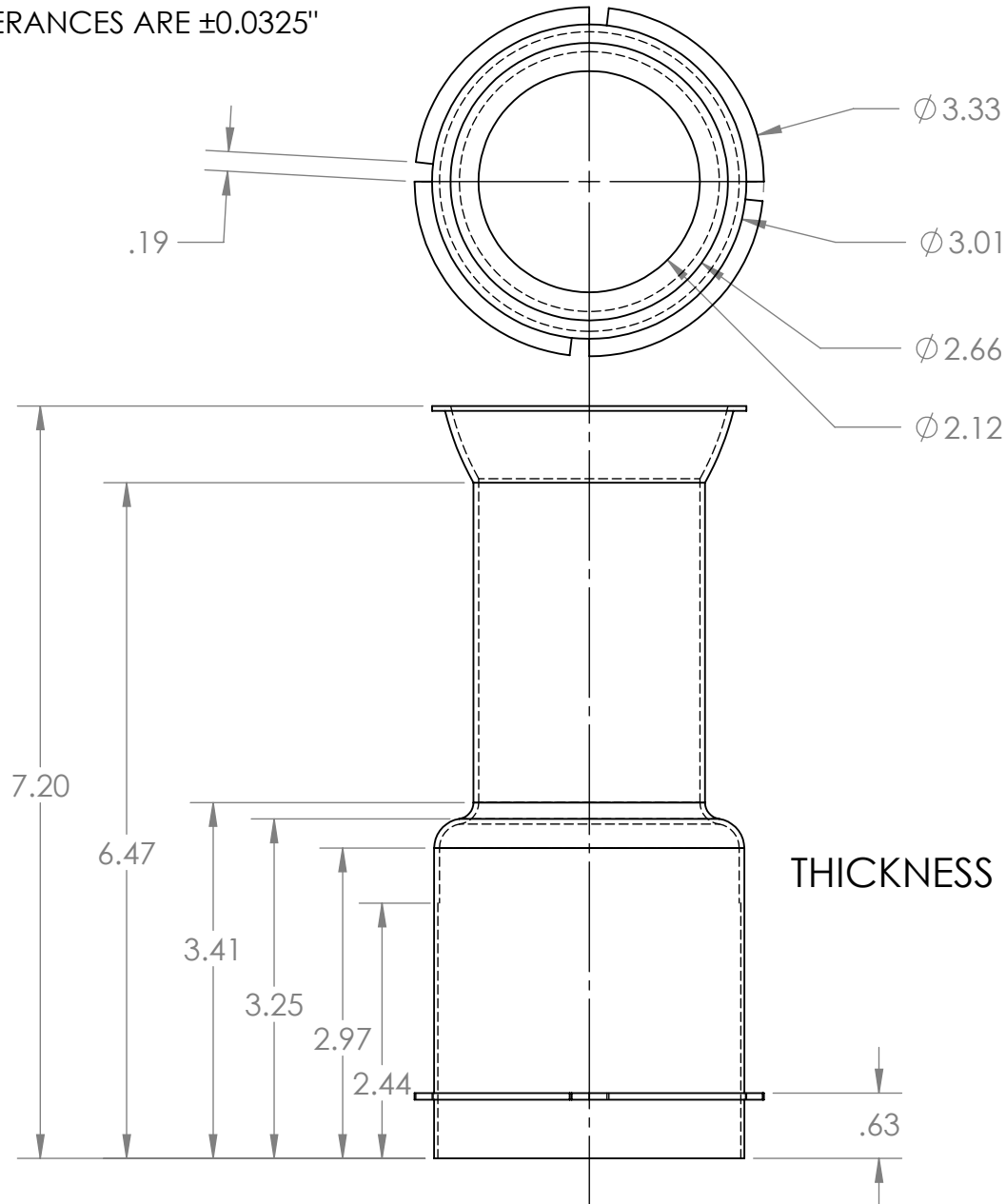


ALL DIMENSIONS ARE IN INCHES UNLESS OTHERWISE SPECIFIED.

ALL TOLERANCES ARE ± 0.0325 "

C-4



THICKNESS = 0.05" UNLESS OTHERWISE SPECIFIED.

NAME: REAGAN COURVILLE

TITLE:
**TEAM #2 BLENDER
TEARDOWN**

DWG NO.

FILTER

A4

SCALE: 1:2

SHEET 1 OF 1